



Yes, you can.®



Invacare® Comet, Comet^{HD} & Comet^{Alpine}

**Scooter
User manual**



How can you get in touch with Invacare®?

If you have any questions or need support, please contact your authorised Invacare® Dealer, who has the necessary know-how and equipment plus the special knowledge concerning your Invacare® product, and can offer you all-round satisfactory service. Should you wish to contact Invacare® directly, you can reach us in Europe at the following addresses and phone numbers.

A	Invacare Austria GmbH Herzog Odilostrasse 101 A-5310 Mondsee Austria	☎: Fax: @: WWW:	+43 6232 5 53 50 +43 6232 5 53 54 info@invacare-austria.com www.invacare.at
----------	--	--------------------------	--

B	Invacare n.v. Autobaan 22 B-8210 Loppem (Brugge)	☎: Fax: @: WWW:	+32 (0)50 83 10 10 +32 (0)50 83 10 11 belgium@invacare.com www.invacare.be
----------	---	--------------------------	---

CH	Invacare AG Benkenstraße 260 CH-4108 Witterswil Switzerland	☎: Fax: @: WWW:	+41 (0)61487 70 80 +41 (0)61487 70 81 switzerland@invacare.com www.invacare.ch
-----------	---	--------------------------	---

D	Invacare GmbH Alemannenstraße 10 88316 Isny Deutschland	☎: Fax: @: WWW:	+49 (0)7562 70 00 +49 (0)7562 7 00 66 kontakt@invacare.com www.invacare.de
----------	---	--------------------------	---

DK	Invacare A/S Sdr. Ringvej 37 DK-2605 Brøndby Danmark	☎ (Kundeservice): Fax (Kundeservice): @: WWW:	+45 (0)36 90 00 00 +45 (0)36 90 00 01 denmark@invacare.com www.invacare.dk
-----------	--	--	---

E	Invacare® SA c/ Areny s/n Polígon Industrial de Celrà E-17460 Celrà (Girona) ESPAÑA	☎: Fax: @: WWW:	+34 (0)972 49 32 00 +34 (0)972 49 32 20 contactsp@invacare.com www.invacare.es
----------	--	--------------------------	---

F	Invacare® Poirier SAS Route de St Roch F-37230 Fondettes France	☎: Fax: @: WWW:	+33 (0)247 62 64 66 +33 (0)247 42 12 24 contactfr@invacare.com www.invacare.fr
GB	Invacare® Ltd Pencoed Technology Park Pencoed Bridgend CF35 5AQ United Kingdom	☎ (Customer services): Fax (Customer services): @: WWW:	+44 (0)1656 77 62 22 +44 (0)1656 77 62 20 uk@invacare.com www.invacare.co.uk
I	Invacare Mecc San s.r.l. Via dei Pini, 62 I - 36016 Thiene (VI) ITALIA	☎: Fax: @: WWW:	+39 0445 38 00 59 +39 0445 38 00 34 italia@invacare.com www.invacare.it
IE	Invacare Ireland Ltd. Unit 5 Seatown Business Campus Seatown Rd, Swords County Dublin Ireland	☎: Fax: @: WWW:	+353 18 10 70 84 +353 18 10 70 85 ireland@invacare.com www.invacare.ie
N	Invacare® AS Grensesvingen 9 Postboks 6230 Etterstad N-0603 Oslo Norge	☎ (Kundeservice): Fax (Kundeservice): @: @: WWW:	+47 (0)22 57 95 00 +47 (0)22 57 95 01 norway@invacare.com island@invacare.com www.invacare.no
NL	Invacare® B.V. Celsiusstraat 46 NL-6716 BZ Ede Nederland	☎: Fax: @: @: WWW:	+31 (0)318 69 57 57 +31 (0)318 69 57 58 nederland@invacare.com csede@invacare.com www.invacare.nl
P	Invacare Lda Rua Estrada Velha, 949 P-4465-784 Leça do Balio Portugal	☎: ☎: Fax: @: WWW:	+351 225 10 59 46 +351 225 10 59 47 +351 225 10 57 39 portugal@invacare.com www.invacare.pt



Aterförsäljare:
Invacare® AB
 Fagerstagatan 9
 S-163 91 Spånga
Sverige

☎ (Kundtjänst): +46 (0)8 761 70 90
 Fax (Kundtjänst): +46 (0)8 761 81 08
 @: sweden@invacare.com
 @: finland@invacare.com
 WWW: www.invacare.se

Tillverkare:
Invacare® Deutschland GmbH
 Kleiststraße 49
 D-32457 Porta Westfalica
Deutschland

MÖLNDAL
 ☎: +46 (0)31 86 36 00
 Fax: +46 (0)31 86 36 06
 @: ginvacare@invacare.com

LANDSKRONA
 ☎: +46 (0)418 2 85 40
 Fax: +46 (0)418 1 80 89
 @: linvacare@invacare.com

OSKARSHAMN
 ☎: +46 (0)491 1 01 40
 Fax: +46 (0)491 1 01 80
 @: oinvacare@invacare.com

**Eastern
 european
 countries**

**European Distributor
 Organisation (EDO)**
 Kleiststraße 49
 D-32457 Porta Westfalica
Deutschland

☎ +49 (0)5731 75 45 40
 Fax +49 (0)5731 75 45 41
 @: edo@invacare.com
 WWW: www.invacare.de

Table of Contents

Chapter		Page
1	Introduction	9
1.1	Important symbols in this manual	10
1.2	Important symbols found on the vehicle	12
1.3	Type classification and permissible use.....	14
1.4	Warranty	14
1.5	Life expectancy.....	14
2	Safety notes	16
2.1	General safety notes	16
2.2	Safety information with regard to care and maintenance	19
2.3	Safety information on electromagnetic interference	20
2.4	Safety information on driving and freewheel mode.....	21
3	Key features	24
4	The position of the labels on the product	25
5	Driving	27
5.1	Getting in and out.....	27
5.2	Before driving for the first time.....	28
5.3	Taking Obstacles	29
5.4	Driving up and down gradients.....	30
5.5	Parking and stationary.....	30
5.6	Use on public roads	30
6	Pushing the scooter by hand	31

6.1	Disengaging Motors	31
7	Operating Console	32
7.1	Operating Console Arrangement.....	32
	7.1.1 Status Display	33
	7.1.2 Battery Charge Display.....	33
7.2	Driving the Scooter	34
7.3	Activating and Deactivating Acoustic Signals	35
7.4	Activating and Deactivating Speed Reduction During Bend Travel	39
7.5	Diagnosis and fault repair	40
	7.5.1 Error diagnosis.....	41
7.6	Error Codes and Diagnostic Codes	42
8	Adjustment facilities	45
8.1	Moving the seat position forwards or backwards.....	45
8.2	Adjusting the armrest width.....	46
8.3	Adjusting the armrest height.....	47
8.4	Adjusting backrest angle.....	48
8.5	Adjusting the lordosis supports (Comet ^{HD} only).....	49
8.6	Disengaging the seat to rotate it or remove it.....	50
8.7	Adjusting the seat height manually.....	51
8.8	Actuate the seat lifter (option).....	52
8.9	Postural belts.....	53
	8.9.1 Types of postural belts.....	53
	8.9.2 Adjusting the postural belt correctly.....	54
	8.9.3 Fixing the containment belt to the scooter.....	55
8.10	Adjusting the suspension.....	57
	8.10.1 Comet and Comet ^{Alpine}	57
	8.10.2 Comet ^{HD}	57
8.11	Rollator bracket	61
	8.11.1 Attaching the rollator.....	62

	8.11.2 Removing the rollator bracket.....	64
	8.11.3 Positioning the rear reflector.....	64
9	Electrical system	66
9.1	Electronics protection system	66
9.1.1	The main fuse	67
9.2	Batteries	67
9.2.1	What you need to know about batteries	67
9.2.2	Charging the batteries	69
9.2.3	Removing and fitting batteries	71
9.2.3.1	Removing the batteries.....	72
9.2.3.2	How to handle damaged batteries correctly	74
10	Care and maintenance	75
10.1	Cleaning the mobility device	75
10.2	Inspection checks	75
11	Repair instructions	77
11.1	Repairing a flat tyre	77
11.1.1	Mending punctures (pneumatic tyres of type 4.00 - 5)	78
11.1.1.1	Repairing punctured tyres	79
12	Transport	81
12.1	Transferring the wheelchair to a vehicle	82
12.2	Transporting the wheelchair without occupants	83
13	Disposal	83
14	Technical specifications	84
15	Inspections Performed	88

1 Introduction

Dear user,

First we would like to thank you for purchasing our product! We hope you will enjoy your new Scooter.

This manual contains important hints and information on:

- **Safety**
- **Operation**
- **Care and maintenance.**

Please take care to read the operating manual thoroughly before starting out on your first journey.

This product has been designed to fit the needs of different types of users with different requirements.

The decision whether the model is suitable for the user may only be taken by medical specialists with appropriate aptitude.

Invacare® or their statutory representatives can accept no liability in cases in which the mobility product has not been adapted to suit the user's handicaps.

Some maintenance and settings can be carried out by the user. Certain adjustments do however require technical training and may only be carried out by your Invacare® specialist dealer.

Damages and errors caused by nonobservance of the operating manual or as a result of incorrect maintenance are excluded from all guarantees.

This manual contains copyrighted information. It may not be reproduced or copied in whole or in part without the prior written consent of Invacare® or its authorised representative. It may also contain information that pertains to models sold only in certain countries. In this case the information will be clearly marked as pertaining to a particular country-specific version. We reserve the right to make any alterations on the grounds of technical improvements.

1.1 Important symbols in this manual



General risks

This symbol warns you of general hazards!

- *Always follow the instructions to avoid injury to the user or damage to the product.*
-



EXPLOSION HAZARD!

This symbol warns you of an explosion hazard, which can be caused by excessive tyre pressure in a pneumatic tyre.

- *Always follow the instructions to avoid injury to the user or damage to the product.*
-



BURN HAZARD!

This symbol warns you of the danger of chemical burns, for example due to the discharge of battery acids!

- *Always follow the instructions to avoid injury to the user or damage to the product.*
-



BURN Risk!

This symbol warns of the risk of burns, for example, as a result of hot motor surfaces.

- *Follow the instructions in order to avoid injury or damage to the product.*
-



RISK OF CRUSHING!

This symbol warns of a risk of crushing caused by being careless with heavy components.

- *Always follow the instructions to avoid injury to the user or damage to the product.*
-



Wear eye protection

This symbol refers to the requirement for wearing eye protection, for example when working with batteries.

- *You must wear safety goggles when this symbol is displayed.*
-



Wear protective gloves

This symbol indicates the requirement to wear protective gloves, for example when working with batteries.

You must wear protective gloves when this symbol is displayed.



NOTE:

This symbol identifies general information which is intended to simplify working with your product and which refers to special functions.



Requirements:

- This symbol identifies a list of various tools, components and items which you will need in order to carry out certain work. Please do not attempt to carry out the work if you do not have the listed tools available.
-



READ WELL BEFORE OPERATION!

This symbol advises you to read information carefully.

1.2 Important symbols found on the vehicle



This product has been supplied from an environmentally aware manufacturer. This product may contain substances that could be harmful to the environment if disposed of in places (landfills) that are not appropriate according to legislation.

- *The 'crossed out wheelie bin' symbol is placed on this product to encourage you to recycle wherever possible.*
 - *Please be environmentally responsible and recycle this product through your recycling facility at its end of life.*
-



This symbol indicates the position of an anchor point when using a lashing system during transport.



If the symbol appears on a bright yellow sticker, the anchoring point is suitable for fixation of the wheelchair in a vehicle for use as a vehicle seat.



This mobility device may not be used as a vehicle seat!

- *This mobility device does not fulfill the requirements of ISO 7176-19:2001 and may not under any circumstances be used as a vehicle seat or to transport the user in a vehicle!*
 - *Using a mobility device that does not fulfill these criteria as a vehicle seat can lead to severe or fatal injuries in the event of a traffic accident!*
-



This symbol indicates the charging socket of the scooter.

Comet HD

This symbol indicates the HD versions of the armrests and seat support tube.

- *Check that the armrests and seat support tube of your Comet^{HD} bear this symbol.*
-



This symbol indicates the position of the springs on the vehicle and shows how to adjust the suspension to make it harder or softer.

1.3 Type classification and permissible use

This vehicle was designed for persons whose ability to walk is impaired, but who are still in terms of their eyesight and physically and mentally able to operate an electric vehicle. It has been classified as a **mobility product in Class C** (outdoors) in accordance with EN 12184. Because of its size it is less suitable for use in indoor environments, but has a longer driving range and the ability to overcome larger and more difficult obstacles in outdoor settings.

You can find detailed information about speed, turning radius, range, maximum safe slope, maximum obstacle height and permissible operating conditions in chapter "Technical specifications" on Page **84**.

You should observe all safety information contained in Chapter "Safety notes" from Page **16**.

The vehicle has been successfully safety-tested to German and international standards. It was also successfully tested to EN60529 IPX4 for splash water insensitivity, and is therefore ideally suitable for typical central European weather conditions. The vehicle is suitable for use in traffic on public roads with a suitable lighting unit in accordance with German StVZO regulations.

1.4 Warranty

The terms and conditions of the warranty are part of the general terms and conditions particular to the individual countries in which this product is sold.

1.5 Life expectancy

We estimate a life expectancy of five years for this product, provided it is used in strict accordance with the intended use as set out in this document and all maintenance and service requirements are met. The estimated life expectancy can be exceeded if the product is carefully used and properly maintained, and provided technical and scientific advances do not result in technical limitations. The life expectancy can also be considerably reduced by extreme or incorrect usage.

The fact that we estimate a life expectancy for this product does not constitute an additional warranty.

2 Safety notes



READ WELL BEFORE OPERATION!

2.1 General safety notes



Danger of injury if this scooter is used in any other way than the purpose described in this manual!

- *Adhere strictly to the instructions in this user manual!*

Danger of injury if the scooter is driven when your ability to drive is impaired by medication or alcohol!

- *Never drive any vehicle under the influence of medication or alcohol!*

Danger of damage or injury if the scooter is accidentally set into motion!

- *Switch the power system off before you get in, get out or handle awkward objects!*
 - *Be aware that the motor brakes are automatically deactivated when the motors are disengaged. For this reason, freewheel operation is only recommended on flat surfaces, never on gradients. Never leave your vehicle on a gradient with its motors disengaged. Always re-engage the motors immediately after pushing the vehicle.*
-



Danger of injury if the On/Off Button is pressed while the vehicle is in motion, due to it coming to an abrupt, sharp stop!

- *If you have to brake in an emergency, simply pull the handbrake until the scooter comes to a halt! Only switch the vehicle off while in motion as a last resort!*

Danger of injury if the scooter is transported in another vehicle with the occupant seated in it!

- *Never transport the scooter with the occupant seated in it!*

Danger of injury if maximum permissible load is exceeded!

- *Do not exceed the maximum permissible load (see "**Technical specifications**" on page 84)!*

Danger of injury when lifting heavy components!

- *When maintaining, servicing or lifting any part of your scooter, take into account the weight of the individual components, especially the batteries! Be sure at all times to adopt the correct lifting posture and ask for assistance if necessary!*

Danger of injury if you fall off the scooter!

- *If restraining systems are installed (such as seat belts), use them each time you drive the scooter.*
-



Danger of injury by moving parts!

- *Make sure that no injury is incurred by moving parts of the scooter, like wheels or a Seat Lifter, especially when children are around!*

Risk of injury from hot surfaces!

- *Do not leave the mobility device in direct sunlight for prolonged periods. Metal parts and surfaces such as the seat and armrests can become very hot.*

Danger of fire or breaking down due to electric devices being connected!

- *Do not connect any electric devices to your vehicle that are not expressly certified by Invacare® for this purpose! Have all electrical installations done by your authorised Invacare® Dealer!*

Danger of technical failure and injury if unauthorised spare parts and components are used!

- *Only use original Invacare® spare parts, which have been approved for use with this vehicle!*
-

2.2 Safety information with regard to care and maintenance



Danger of accident and loss of guarantee if maintenance is insufficient!

- *For reasons of safety and in order to avoid accidents which result from unnoticed wear, it is important that this electric mobility product undergoes an inspection once every year under normal operating conditions (see inspection plan contained in service instructions).*
 - *Under difficult operating conditions such as daily travel on steep slopes, or in the case of use in medical care cases with frequently changing wheelchair users, it would be expedient to carry out intermediate checks on the brakes, accessories and running gear.*
 - *If the mobility product is to be operated on public roads, the vehicle driver is responsible for ensuring that it is in an operationally reliable condition. Inadequate or neglected care and maintenance of the mobility product will result in a limitation of the manufacturer's liability.*
-

2.3 Safety information on electromagnetic interference

This electric vehicle was successfully tested in accordance with International standards as to its compliance with Electromagnetic Interference (EMI) regulations. However, electromagnetic fields, such as those generated by radio and television transmitters, and cellular phones can influence the functions of electric vehicles. Also, the electronics used in our vehicles can generate a low level of electromagnetic interference, which however will remain within the tolerance permitted by law. For these reasons we ask you to please observe the following precautions:



WARNING: Danger of malfunction due to electromagnetic interference!

- *Do not switch on or operate portable transceivers or communication devices (such as radio transceivers or cellular phones) when the vehicle is switched on.*
 - *Avoid getting near strong radio and television transmitters.*
 - *In case the vehicle should be set in motion unintentionally or the brakes are released, switch it off immediately.*
 - *Adding electrical accessories and other components or modifying the vehicle in any way can make it susceptible to electromagnetic interference. Keep in mind that there is no sure way to determine the effect such modifications will have on the overall immunity of the electronic system.*
 - *Report all occurrences of unintentional movement of the vehicle, or release of the electric brakes to the manufacturer.*
-

2.4 Safety information on driving and freewheel mode



Danger of injury if the vehicle tips over!

- *Only ever negotiate gradients up to the maximum tilt-resistant gradient and only with the backrest in an upright position, and the seat lifter in the lowest position (if installed)!*
 - *Only ever drive downhill at a maximum of 2/3rds of the top speed! Avoid abrupt braking or accelerating on gradients!*
 - *If at all possible, avoid driving on slippery surfaces (such as snow, gravel, ice etc.) where there is a danger of you losing control over the vehicle, especially on a gradient! If driving on such a surface is inevitable, then always drive slowly and with the utmost caution!*
 - *Never attempt to overcome an obstacle when on an uphill or downhill gradient!*
 - *Never attempt to drive up or down a flight of steps!*
 - *Always approach obstacles straight on! Ensure that the front wheels and rear wheels move over the obstacle in one stroke, do not stop halfway! Do not exceed the maximum obstacle height (see "**Technical specifications**" on page 84)!*
 - *Avoid shifting your centre of gravity as well as abrupt changes of direction when the vehicle is in motion!*
-



Danger of injury if the vehicle tips over! (Continued)

- *Never use the vehicle to transport more than one person!*
- *Do not exceed the maximum permissible load!*
- *When loading the vehicle, always distribute the weight evenly! Always try to keep the centre of gravity of the vehicle in the middle, and as close to the ground as possible!*
- *Note that the vehicle will brake or accelerate if you change the Driving Speed while it is in motion!*

Danger of injury if you collide with an obstacle when driving through narrow passages such as doorways and entrances!

- *Drive through narrow passages in the lowest Driving Speed and with due caution!*
-



CAUTION: The centre of gravity for the scooter is higher than that of an electric wheelchair! There is an increased tipping hazard when negotiating bends!

- *Reduce speed before negotiating bends! Only accelerate when you have come out of the bend!*



CAUTION: Danger of tipping! Anti tip wheels (stabilisers) are only effective on firm ground! They sink in on soft ground such as grass, snow or mud if the mobility device rests itself on them. They lose their effect and the mobility device can tip over.

- *Only drive with extreme care on soft ground, especially during uphill and downhill journeys. In the process pay increased attention to the tip stability of the mobility device.*
-



CAUTION: it may be difficult to turn in front of a lift or building entrance because the scooter turning circle may not necessarily comply with building standards!

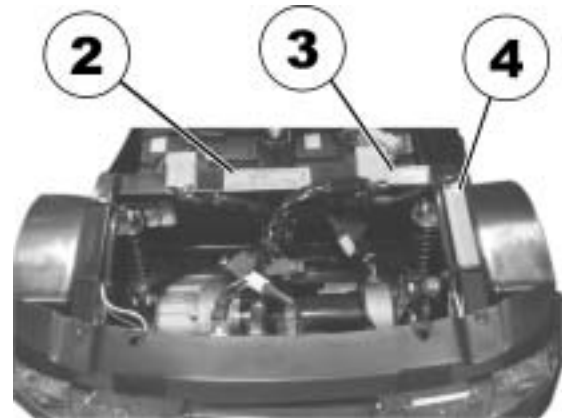
- *Always be aware of the limitations of your scooter, particularly the turning circle capabilities when entering a building or a lift. Avoid driving situations in which you would no longer be able to come out because you cannot turn your scooter around!*
-

3 Key features

- 1) Disengaging lever
- 2) Unlocking lever for sliding seat rails (front right below seat)
- 3) Unlocking lever for swivelling and removing seat (left under the seat, not visible in picture)
- 4) Operating console
- 5) Brake lever (right-hand lever)
- 6) Lever for adjusting steering column inclination (left-hand lever, not visible in picture).
- 7) Keyswitch (ON/OFF)



4 The position of the labels on the product



1) Identification of charger socket (left-hand side of steering column, not visible in picture)

2) Identification label sticker on the chassis at the rear



Model: 3-Devolet 30, 3.0 kW 40 V Li-ion 27 Ah 27kg Best. Max. Charging Temp. 30°C (86°F)			22/04/2008	
Model: Comet 30R	Max. Speed: 18 km/h (11.2 mph)	Max. Load Capacity: 175 kg (385 lbs)	Max. Power: 3.0 kW (4.0 hp)	
Max. Weight: 66 kg (145 lbs)	Max. Weight: 287 kg (633 lbs)	Max. Weight: 135 kg (297 lbs)	Max. Weight: 104 kg (229 lbs)	

3) Manufacturer label on the chassis at the rear



4) Distributor label on the chassis at the rear



5) Identification of HD version (Comet^{HD} only)

6) Identification of the position of the springs on the chassis at the front and rear (Comet^{HD} only)



7) Battery label under the cover at the rear

The symbols on the labels are explained in section "**Important symbols found on the vehicle**" on page **12**.

5 Driving

5.1 Getting in and out

The armrests can be swivelled upwards to assist getting in and out.



The seat can also be rotated to assist getting in and out.

- Lift the detent lever (1) up.
- Turn the seat to the side.



Information on turning the seat

The detent automatically engages again after 45°.

5.2 Before driving for the first time...

Before you take your first trip, you should familiarise yourself well with the operation of the vehicle and with all operating elements. Take your time to test all functions and driving modes.



NOTE:

If installed, make sure to properly adjust and use the postural belt each time you use the wheelchair.

Sitting Comfortably = Driving Safely

Before each trip, make sure that:

- **You are within easy reach of all operating controls.**
- **The battery charge is sufficient for the distance intended to be covered.**
- **The postural belt (if installed) is in perfect order.**
- **The rear mirror (if installed) is adjusted so you can look behind at all times without having to bend forward or shift your seating position.**

5.3 Taking Obstacles

You can find information about maximum obstacle heights in the chapter entitled "**Technical specifications**" from page 84.



CAUTION: Danger of Tipping Over!

- *Never approach obstacles at an angle but at 90 degrees as shown below.*
 - *Put your backrest into an upright position before climbing an obstacle.*
-

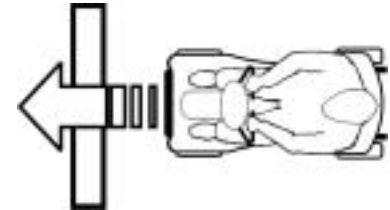
Driving up over an obstacle

- Approach the kerb or obstacle slowly head-on. Shortly before the front wheels touch the obstacle, increase the speed and reduce only after the rear wheels have also climbed the obstacle.

Driving down off of an obstacle

- Approach the kerb or obstacle slowly head-on. Before the front wheels touch the obstacle, reduce speed and keep it until also the rear wheels have come down off of the obstacle.

Correct



Incorrect



5.4 Driving up and down gradients

For information concerning the maximum safe slope, please see chapter "**Technical specifications**" starting on page 84.



WARNING: Danger of tipping over!

- *Only ever drive downhill at a maximum of 2/3rds of the top speed!*
 - *Always return the backrest of your seat to an upright position before ascending slopes! We recommend that you lean the backrest slightly to the rear before descending slopes!*
 - *Never attempt to ascend or descend a slope on slippery surfaces or where there is a danger of skidding (such as wet pavement, ice etc)!*
 - *Avoid trying to get out of the vehicle on an incline or a gradient!*
 - *Always drive in a straight direction along the road or path you are travelling on, rather than attempting to zigzag!*
 - *Never attempt to turn around on an incline or a slope!*
-

5.5 Parking and stationary

If you park your vehicle, or leave it at a standstill for a longer period:

- switch off the power supply (keyswitch).

5.6 Use on public roads

The wheels may bear the note "Not For Highway Use". However, the mobility device may be used on all traffic routes for which it is approved in accordance with the relevant national legislation.

6 Pushing the scooter by hand

The motors of the scooter are equipped with automatic brakes, preventing the scooter from rolling away out of control when the power supply is switched off. When pushing the scooter, the magnetic brakes must be disengaged.

6.1 Disengaging Motors



Danger of the vehicle running away!

- *When the motors are disengaged (for push operation whilst freewheeling), the electromagnetic motor brakes are deactivated! When the vehicle is parked, the levers for engaging and disengaging the motors must without fail be locked firmly into the "DRIVE" position (electromagnetic motor brakes activated)!*
-

The lever for engaging and disengaging the motor is located on the right-hand side at the rear.

Disengaging the drive

- Switch off the Scooter (keyswitch).
- Press the unlocking knob on the disengaging lever (1).
- Push the disengaging lever forwards. The drive is now disengaged.

Engaging the drive

- Pull the lever to the rear.



7 Operating Console

7.1 Operating Console Arrangement

- 1) Status display
- 2) Speed controller
- 3) Switching speed reduction during bend travel on and off
- 4) Horn
- 5) Left-hand direction indicator (switches itself off automatically after 30 seconds)
- 6) Battery charge display
- 7) Speed reduction
- 8) Warning blinker
- 9) Right-hand direction indicator (switches itself off automatically after 30 seconds)
- 10) Lighting
- 11) Drive lever



7.1.1 Status Display



NOTE:

The ON/OFF diode is used as a fault display (status display). Chapter "Error Codes and Diagnostic Codes" on page 42 contains an explanation of the error codes.

7.1.2 Battery Charge Display

- All diodes illuminate: maximum driving range
 - Only red and yellow diodes illuminate: reduced driving range. Recharge the batteries at the end of your journey.
 - **Only red LEDs illuminate/blink, electronics beeps 3x: battery reserve = severely restricted driving range. Recharge batteries immediately!**
-



NOTE:

Overdischarge protection: after a certain drive time on reserve battery power the electronics system switches the drive off automatically and brings the Scooter to a standstill. If you do not drive your Scooter for a while the batteries will "recuperate" and allow a further, but short, journey. However, after a very brief journey the red diodes will illuminate again and the electronic system will beep three times. This procedure leads to battery damage and should be avoided if possible!

7.2 Driving the Scooter



WARNING: Danger from the unintended rolling of the vehicle!

When stopping the vehicle, the drive lever needs to return entirely to the middle position to activate the electromagnetic brakes. If there is any obstruction stopping the lever from returning to the middle position, the electromagnetic brakes cannot be activated. This can lead to the vehicle rolling unintentionally.

- *Please make sure that the drive lever is in the middle position, if the vehicle is to remain stationary.*
-

- Switch the power supply on (keyswitch) The operating console display illuminates. The Scooter is ready to drive.
-



NOTE:

If the Scooter is not ready to drive after switching on, check the status display (see Chapter "**Status Display**" on page 33 and Chapter "**Diagnosis and fault repair**" on page 40.

- Set the required speed with the speed controller.
 - Pull the right-hand drive lever carefully to travel forwards.
 - Pull the left-hand drive lever carefully to travel in reverse.
-



NOTE:

The control system is programmed with standard values in the works. Your Invacare®dealer can carry out programming tailored to fit your requirements.



CAUTION: any changes to the drive program can affect the driving characteristics and the tipping stability of the vehicle!

- *Changes to the drive program may only be carried out by trained Invacare® specialist dealers!*
 - *Invacare® supplies all mobility products with a standard drive program ex-works. Invacare® can only give a warranty for safe vehicle driving behaviour - especially the tipping stability - for this standard drive program!*
-



NOTE:

- To brake quickly, simply let go of the driving lever. It will automatically return to the middle position. The scooter will brake.
 - To brake in an emergency, follow the above and pull the handbrake lever until the scooter comes to a halt.
-

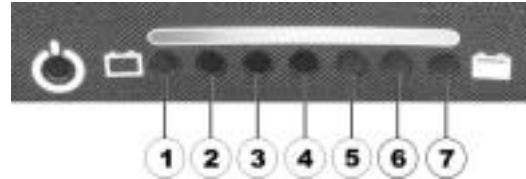
7.3 Activating and Deactivating Acoustic Signals

The Scooter electronic system can be programmed to emit an acoustic signal in the following situations:

- battery capacity low (activated in delivery status)
- direction indicators actuated (activated in delivery status)
- hazard lamps actuated (activated in delivery status)
- Reverse gear activated (both reverse gear and the acoustic signal are activated in delivery status)

The electronic system must be switched off in order to activate or deactivate an acoustic signal for particular functions, and a particular keystroke combination needs to be entered when switching on again.

After a signal for a particular function has been successfully activated/deactivated, a combination of LEDs on the battery charge display will blink as a confirmation. The LEDs are numbered as shown on the right:



The keystroke combinations and LED codes for various options are as follows:

Function:	Keystroke combination	LED(s)	Condition
Acoustic signal at low battery capacity	"Lighting" + "direction indicator left"	D1	deactivated
		D1+D2	activated
Acoustic signal when direction indicators actuated	"Lighting" + "direction indicator right"	D3	deactivated
		D3+D4	activated
Acoustic signal when hazard lamps actuated	"Lighting" + "hazard lamps"	D5	deactivated
		D5+D6	activated
Acoustic signal when reverse gear actuated	'Lighting' + 'Button 3' (see "Operating Console Arrangement" on page 32)	D1+D2+D3	deactivated
		D4+D5+D6	activated

Activating or deactivating an acoustic signal

Please proceed as follows to activate or deactivate an acoustic signal for a particular function:

- 1) Switch off the electronic system.
- 2) Enter the keystroke combination and hold.
- 3) Switch on the electronic system
- 4) Wait two seconds until the appropriate blink code is displayed on the battery charge display, then release the keys. Do not hold the keystroke combination down for more than five seconds.
- 5) If LED D7 blinks five times subsequently the acoustic signal has been successfully activated.
- 6) The electronic system will return to normal operating status automatically.

7.4 Activating and Deactivating Speed Reduction During Bend Travel

Your Scooter is fitted with automatic speed reduction which is activated as standard when the Scooter is switched on. This function lowers the Scooter's speed as soon as you start driving round a bend. It is primarily designed for inexperienced users who may feel unsure of the Scooter's dynamic driving behaviour in a bend. If, however, you are an experienced user, you may wish to deactivate this function.

Deactivating speed reduction

- Press key (1) for more than two seconds. The LED (2) illuminates. Speed reduction is deactivated.

Activating speed reduction

- Press key (1) for more than two seconds. The LED (2) goes out. Speed reduction is activated again.



7.5 Diagnosis and fault repair

The electronic system offers diagnostic information to support the technician during the recognition and rectification of faults on the Scooter. If there is a fault, the status display blinks several times, pauses, then blinks again. The type of fault is displayed by the number of blinks in each group, which are also known as the "blink code".

The electronic system reacts differently depending on the seriousness of the fault and its effect on user safety. It can, for example:

- simply show the blink code as a warning and allow both driving and normal operation to continue;
- display the blink code, stop the Scooter and prevent further travel until the electronic system has been switched off and switched on again;
- display the blink code, stop the Scooter and not permit further travel until the fault has been rectified.

You can find detailed descriptions of individual blink codes, including possible causes and fault repair, in the section entitled "Error Codes and Diagnostic Codes" on page **42**.

7.5.1 Error diagnosis

If the Scooter shows a failure, please use the following guide to locate the fault.



NOTE:

Before making any diagnosis, ensure that the Scooter has been switched on at the keyswitch.

If the status display is OFF:

check whether the keyswitch is **SWITCHED ON**.

Check whether all cables are correctly connected.

If the status bar indicator is BLINKING:

count the number of blinks and then proceed to the next section.

7.6 Error Codes and Diagnostic Codes

Blink code	Fault	Consequence for the Scooter	Comments
1	Battery must be charged	Continues to drive	<ul style="list-style-type: none"> The batteries are discharged. Charge the battery as soon as possible.
2	Battery voltage too low	Stops driving	<ul style="list-style-type: none"> The batteries are depleted. Charge batteries. If you switch the Scooter off for a few minutes, the battery can often recuperate to such a stage that a short journey is still possible.
3	Battery voltage too high	Stops driving	<ul style="list-style-type: none"> The battery voltage is too high. If the battery charger is connected, disconnect it from the Scooter. The electronic system charges the batteries when running downhill and when braking. This fault is caused when the battery voltage becomes too high during this process. Switch the Scooter off and on again.

Blink code	Fault	Consequence for the Scooter	Comments
4	Power time exceeded	Stops driving	<ul style="list-style-type: none"> • The maximum current was exceeded over too long a period, probably because the motor was overloaded or has been working against an immovable resistance. Switch the scooter off, wait a few minutes and then switch on again. • The electronic system has determined a motor short-circuit. Check the wiring harness for short-circuit and check the motor. • Contact your Invacare® dealer.
5	Brake failure	Stops driving	<ul style="list-style-type: none"> • Ensure that the disconnection lever is pressed in. • There is a defect in the braking coil or in the cabling. Check the magnetic brake and cabling for open or short-circuited circuitry. Contact your Invacare® dealer.
6	No neutral position when switching Scooter on.	Stops driving	<ul style="list-style-type: none"> • Drive lever is not in neutral when the keyswitch was turned. Put the drive lever in neutral, turn the power off and then turn on again. • It may be necessary to recalibrate the drive lever. Contact your Invacare® dealer.

Blink code	Fault	Consequence for the Scooter	Comments
7	Fault in speed potentiometer	Stops driving	<ul style="list-style-type: none"> • The drive lever electronics could be faulty or incorrectly connected. Check the cabling for open or short-circuited circuitry. • Potentiometer is not correctly adjusted. Put the potentiometer into the centre position.
8	Motor voltage error	Stops driving	<ul style="list-style-type: none"> • The motor or its cabling is defective. Check the cabling for open or short-circuited circuitry.
9	Miscellaneous internal fault	Stops driving	<ul style="list-style-type: none"> • Contact your Invacare® dealer.
10	Push/freewheel mode error	Stops driving	<ul style="list-style-type: none"> • The Scooter has exceeded the permissible maximum speed during pushing or freewheeling. Switch the electronics system off and on again.

8 Adjustment facilities

8.1 Moving the seat position forwards or backwards

The disengaging lever for adjusting the seat is located front right below the seat

- Pull the lever (1) to disengage the seat.
- Slide the seat forwards or backwards into the required position.
- Let go the lever again to lock the seat into its required position.



8.2 Adjusting the armrest width

The hand wheels for releasing the armrests are located under the seat (1).

- Turn the hand wheels to loosen the fixing for the armrest.
- Adjust the armrests to the required width.
- Retighten the handwheels



8.3 Adjusting the armrest height



Requirements:

- Phillips screwdriver
-
- Use the screwdriver to loosen and remove the armrest fixing screw.
 - Adjust the armrests to the required height.
 - Reposition the screw and tighten again.



8.4 Adjusting backrest angle

The lever (1) for adjusting the backrest angle is located on the right of the seat.

- Pull the lever and adjust the backrest to the required angle by leaning forwards or backwards.



8.5 Adjusting the lordosis supports (Comet^{HD} only)

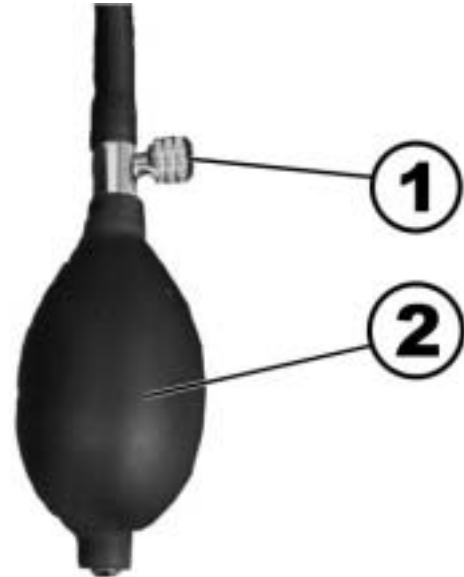
The lordosis support is the outward swell of the backrest which supports the lumbar region of the spine. You can regulate the strength of the outward swell using an air pump to fit it individually.

Swelling the lordosis support more

- Ensure that the air vent screw (1) is closed fully clockwise.
- Pump air into the lordosis support using the rubber ball (2).
The lordosis support will swell outwards more.

Swelling the lordosis support less

- Undo the air vent screw (1) anticlockwise and allow air to escape out of the lordosis support.
The lordosis support will swell outwards less.



8.6 Disengaging the seat to rotate it or remove it

The seat can be turned to one side to make getting in and out of the scooter easier. The seat is also easier to remove from this position.

The lever for disengaging the seat is located under the seat (1) on the left.

- Pull the lever forwards to disengage the seat.
- Turn the seat to the side.
- If you want to remove the seat, hold it firmly by the backrest and front edge and remove it upwards.



8.7 Adjusting the seat height manually



Requirements:

- 2x open-ended spanners 17 mm
-

- Remove the seat
- Remove the battery and motor compartment cover.



- Remove the seat pillar locking bolt using both open-ended spanners.
- Adjust the seat height.
- Reinsert the bolt and tighten.



8.8 Actuate the seat lifter (option)

The rocker switch (1) for adjusting the seat lifter is located on the steering column.

- Press the switch up or down. The seat lifter will raise or lower.



8.9 Postural belts

A postural belt is an option which can either be fixed to the wheelchair ex-works or can be retrofitted by your specialist dealer. If your wheelchair is fitted with a postural belt, your specialist dealer will have informed you about fitting and usage.

The postural belt is used to help the wheelchair user keep an optimum sitting position. Correct use of the belt assists the user in sitting securely, comfortably and well-positioned in the wheelchair, especially for such users who do not have such a good sense of balance while sitting.



NOTE:

We recommend using the postural belt whenever the wheelchair is used. The belt should be tight enough to ensure that you are sitting comfortably and that your body is in the correct sitting position.

8.9.1 Types of postural belts

Your wheelchair can be fitted with the following postural belt types ex-works. If your wheelchair has been fitted with a different belt to those listed below, please ensure that you have received the manufacturer's documentation with regard to correct fitting and use.

Belt with metal buckle adjustable on one side

The belt can only be adjusted on one side, which can result in the buckle not being in the middle of the waist (across pelvic area) after adjustment has taken place.



8.9.2 Adjusting the postural belt correctly

- Ensure that you are sitting correctly, which means that you are sitting right at the back of the seat, your pelvis is positioned erect and as symmetrically as possible, not to the front, to the side or at one edge of the seat.
- Position the postural belt so that your hipbones can be easily felt above the belt.
- Adjust the belt length using one of the adjustment aids described above. The belt should be adjusted so that you can fit a flat hand between the belt and your body.
- The buckle should be positioned as centrally as possible. In doing so, please carry out adjustments on both sides as much as possible.
- Please check your belt every week to ensure that it is still in good working condition; to ensure it has no damage or wear, and that it is fixed properly to the wheelchair. If the belt is only fastened with a bolted connection, ensure that the connection has not loosened or undone. You can find more information about maintenance work on belts in the service manual, which is available from Invacare®.

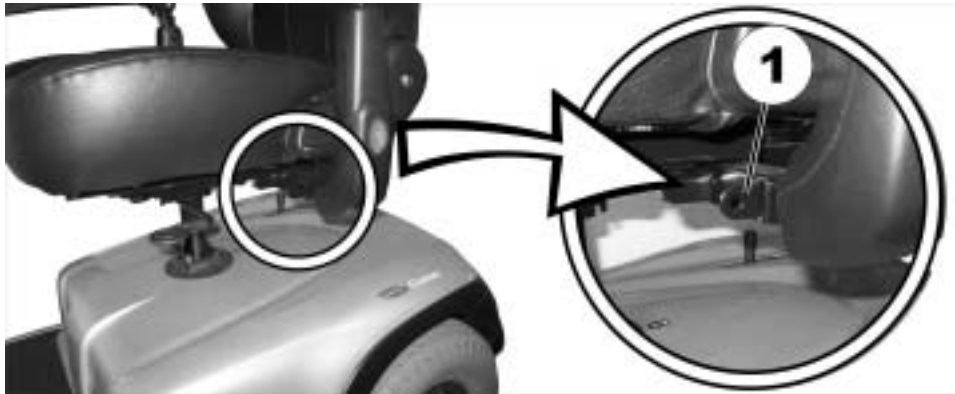
8.9.3 Fixing the containment belt to the scooter



Requirements:

- jaw spanner 12 mm
 - jaw spanner 13 mm
-

The fixing points (1) for attaching the belt are located under the seat (the figure shows only the left hand side).



- Take hold of the belt mounting and hold it in front of the hole in the fixing.
- Position the bolt (1), screw the nut on from the other side and tighten with a jaw spanner.



- Repeat the same procedure on the other side of the seat. Check to ensure that the nut is tightened properly on the bolt.



8.10 Adjusting the suspension

The Comet suspension can be individually adjusted. These adjustments should only be carried out by trained specialists. Please contact your authorised Invacare specialist dealer.

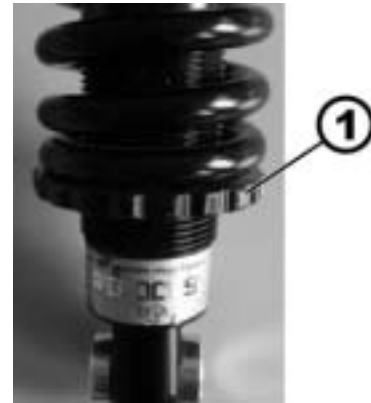
8.10.1 Comet and Comet^{Alpine}

Adjusting the suspension harder

- Rotate the adjustable spring plate (1) clockwise when viewed from below in order to adjust the suspension harder.

Adjusting the suspension softer

- Rotate the adjustable spring plate (1) anticlockwise when viewed from below in order to adjust the suspension softer.

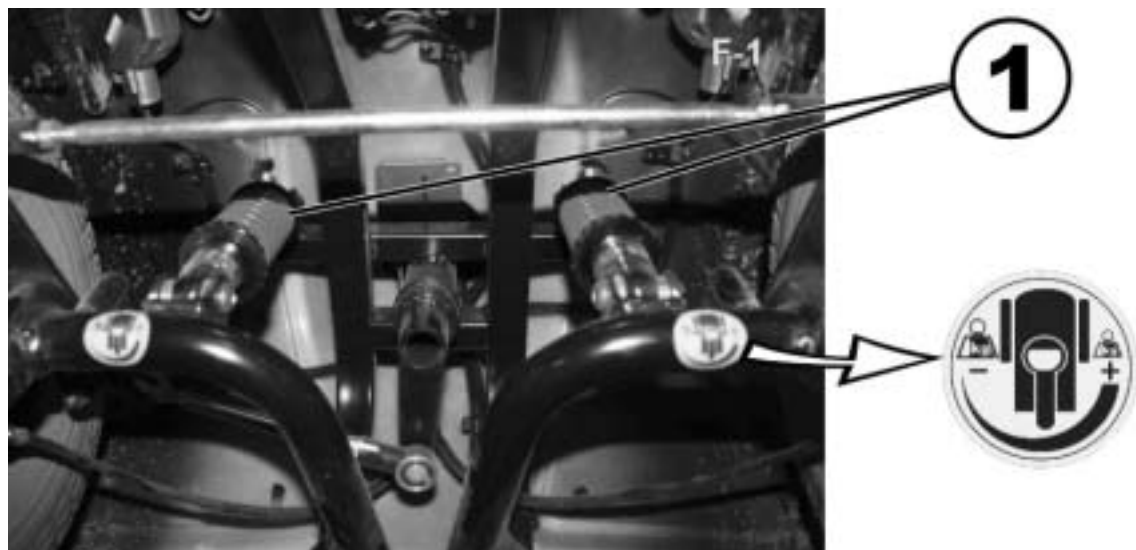


8.10.2 Comet^{HD}

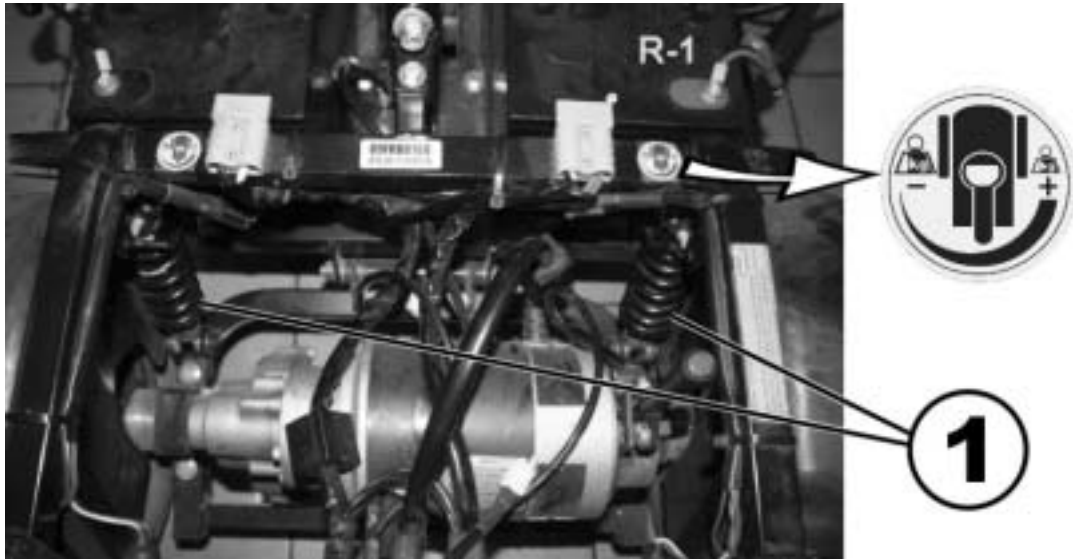
In the case of the Comet^{HD}, the suspension can be quickly and simply adjusted using a lever on the springs.

The position of the springs (1) is marked on the vehicle with a yellow sticker. The stickers also show in which direction the lever needs to be turned to adjust the suspension harder or softer.

Front springs



Rear springs



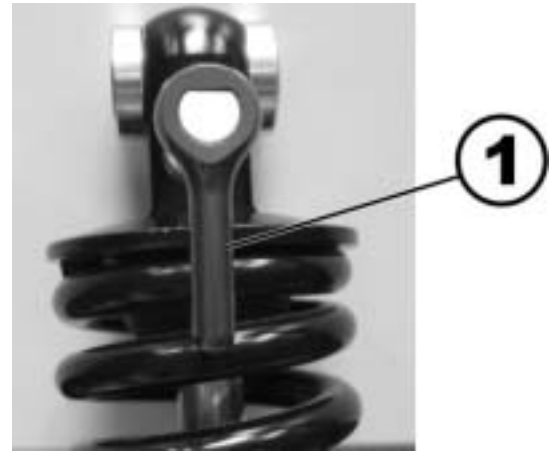
Meanings of symbols on sticker

(1) - = suspension harder

(2) + = suspension softer

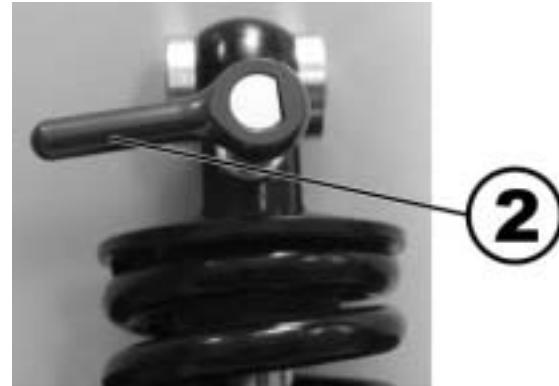


The works setting for the lever is the middle position (1). The suspension can be adjusted harder or softer in four levels.



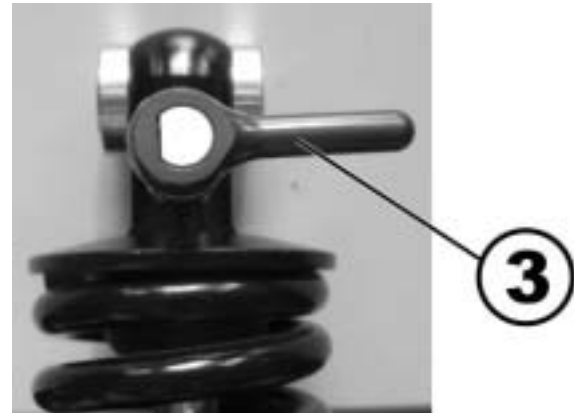
Adjusting the suspension harder

- Rotate the lever to the left to adjust the suspension harder.
- The fourth level (2) is the hardest suspension.



Adjusting the suspension softer

- Rotate the lever to the right to adjust the suspension softer.
- The fourth level (3) is the softest suspension.



8.11 Rollator bracket

Your scooter can be fitted with an optional rollator bracket. Only the following rollators, which have been approved by Invacare, can be transported using this bracket:

- Dolomite Jazz 600
- Dolomite Legacy 600
- Invacare Banjo P452E/3

The maximum permitted rollator weight is 9 kg.



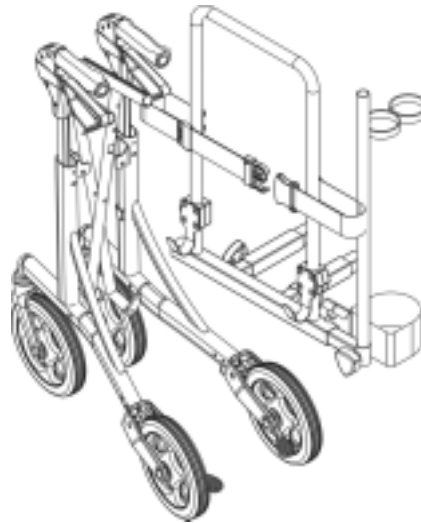
CAUTION! Risk of tipping as a result of altered center of gravity.

The center of gravity of the scooter shifts towards the back as a result of attaching the rollator. The maximum safe angle of incline is thereby reduced by up to 2°.

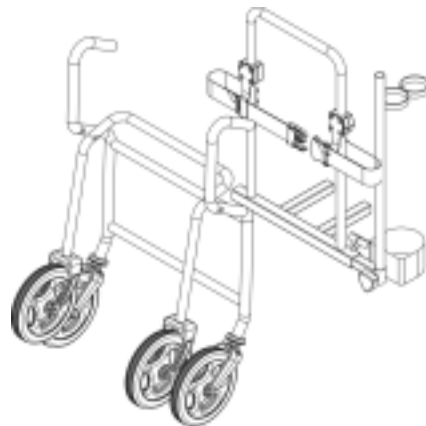
- *Please note that gradients that you would normally be able to negotiate may now be too steep and the scooter could tip. Do not attempt to climb or descend such gradients.*
-

8.11.1 Attaching the rollator

Dolomite Jazz 600



Dolomite Legacy 600

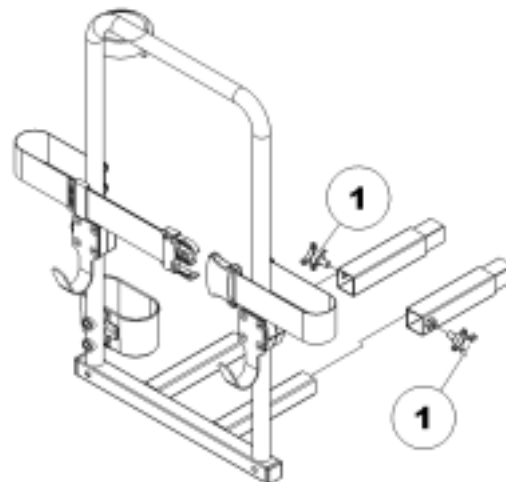


Invacare Banjo P452E/3



8.11.2 Removing the rollator bracket

- Loosen the screws (1).
- Pull the rollator bracket out of the fixtures.



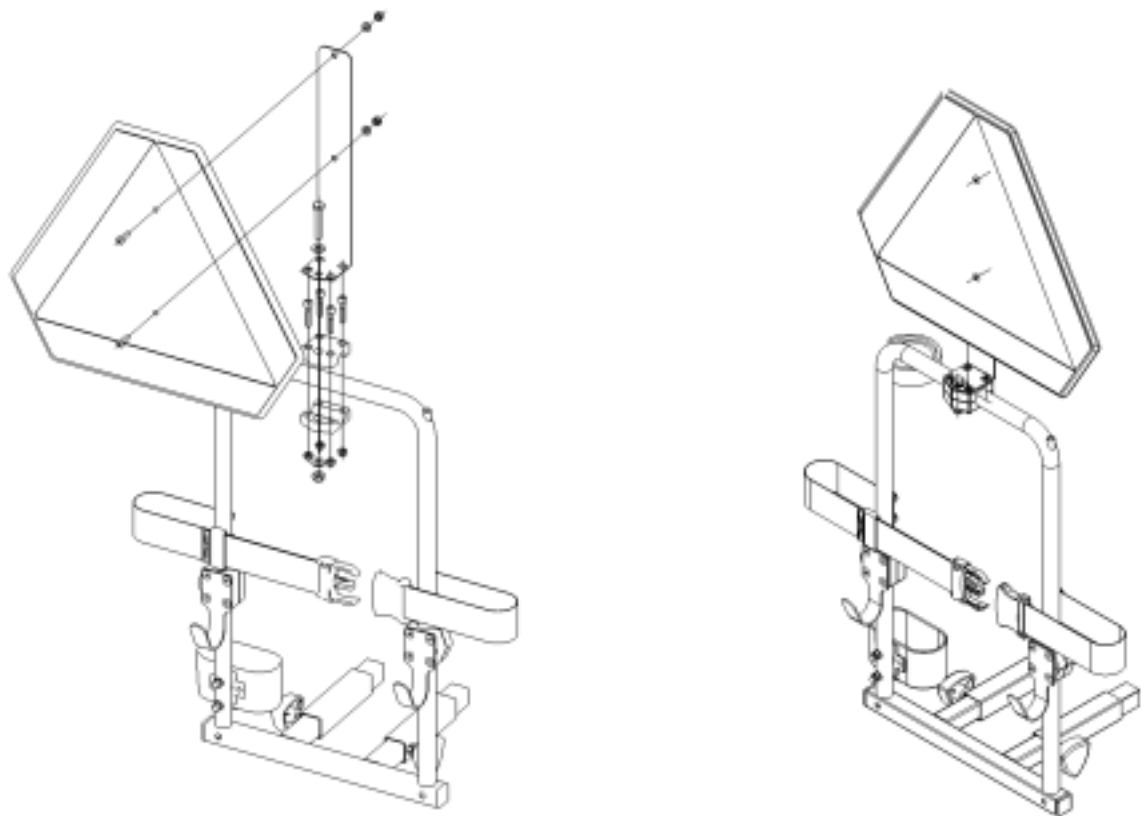
8.11.3 Positioning the rear reflector



CAUTION! Risk of accident due to poor visibility.

If you wish to use your wheelchair on public roads and a rear reflector is required by national legislation, then the rollator bracket may not cover the rear reflector.

- *Make sure that the rear reflector is mounted in such a way that a sufficient amount of the reflective area is visible.*
-



- Position the rear reflector as shown in the drawing.

9 Electrical system

9.1 Electronics protection system

The vehicle's electronics are equipped with an overload-protection system.

If the motors are put under considerable strain for a longer period of time (for example, when driving up a steep hill) and especially when the ambient temperature is high, then the electronic system could overheat. In this case the vehicle's power is reduced gradually until it finally comes to a halt. The Status Display shows a corresponding error code (see chapter **"Error Codes and Diagnostic Codes"** on page 42). By switching the power supply off and back on again, the error code is cancelled and the electronics are switched back on. It will take approximately five minutes until the electronics have cooled down enough for the motors to restore full power again.

When the motors are stalled by an insurmountable obstacle, such as a high kerb, and the vehicle driver allows the motors to strain against this hindrance for more than 20 seconds without moving, then the electronics will automatically switch off to prevent the motors from being damaged. The Status Display shows a corresponding error code (see chapter **"Error Codes and Diagnostic Codes"** on page 42). By switching off and back on again, the error code is cancelled and the electronics are switched back on.

9.1.1 The main fuse

The entire electric system is protected against overload by two master fuses. The master fuses are mounted on the positive battery cables.



NOTE

A defective main fuse may be replaced only after checking the entire electric system. An Invacare® specialised dealer must perform the replacement. You can find information on the fuse type in chapter "**Technical specifications**" starting on page **84**.

9.2 Batteries

9.2.1 What you need to know about batteries

Power is supplied by two 12 V batteries. The batteries are maintenance-free and only need regular charging.

New batteries should always be fully charged once before their first use. New batteries will be at their full capacity after having run through approx. 10 - 20 charging cycles. How fast the batteries discharge depends on many circumstances, such as ambient temperature, condition of the surface of the road, tyre pressure, weight of the driver, way of driving and utilisation of lighting.



NOTE

The batteries supplied with your electric vehicle are not hazardous goods. This classification is based on the German *GGVS Hazardous Goods Road Transport Ordinances*, and the *IATA/DGR Hazardous Goods Rail Transport / Air Transport Ordinances*. Batteries may be transported without restrictions, whether by road, rail or by air. Individual transport companies have, however, guidelines which can possibly restrict or forbid certain transport procedures. Please ask the transport company regarding each individual case.

Pay attention to the Battery Charge Indicator! Make sure to charge the batteries when the Battery Charge Indicator shows that battery charge is low. We recommend charging the batteries after each trip, as well as each night over night. Depending on the level of discharge, it can take up to 12 hours until the batteries are fully charged again.

Protect your charger from sources of heat such as heaters and direct sunlight. If the battery charger overheats, charging current will be reduced and the charging process delayed.

To avoid damaging the batteries, never allow them to be fully discharged. Do not drive on heavily discharged batteries if it is not absolutely necessary, as this will strain the batteries unduly and shorten their life expectancy.

In case your vehicle is not used for a longer period of time, then the batteries must be charged at least once a month to maintain a full charge. Alternatively, the vehicle can stay connected to the charger. The batteries cannot be overcharged with the specified charger.

Please use only charging devices in Class 2. This class of chargers may be left unattended during charging. All charging devices which are supplied by Invacare® comply with these requirements.

9.2.2 Charging the batteries

- Make sure you read and understand the battery charger's User's Manual, if supplied, as well as the safety notes on the front and rear panels of the charger!
-



WARNING!

Risk of explosion and destruction of batteries if the wrong battery charger is used!

- *Only ever use the battery charger supplied with your vehicle, or a charger that has been approved by Invacare®.*

Risk of electric shock and damage to the battery charger if it gets wet!

- *Protect the battery charger from water.*
- *Always charge in a dry environment.*

Risk of short circuit and electric shock if the battery charger has been damaged!

- *Do not use the battery charger if it has been dropped or damaged.*

Risk of electric shock and damage to the batteries!

- *NEVER attempt to recharge the batteries by attaching cables directly to the battery terminals.*

Risk of fire and electric shock if a damaged extension cable is used!

- *Only ever use an extension cable if it is absolutely necessary. In case you must use one, make sure it is in good condition.*

Risk of injury if using the wheelchair during charging!

- *DO NOT attempt to recharge the batteries and operate the wheelchair at the same time.*
 - *DO NOT sit in the wheelchair while charging the batteries.*
-

The charging socket is located on the left of the steering column

Connecting the battery charger

- Switch off the Scooter.
- Push the protective cap on the side of the charging socket to the side.
- Connect the battery charger to the Scooter.
- Connect the battery charger to the mains.

Disconnecting the battery charger from the Scooter

- First unplug the battery charger from the mains.
- Then unplug the battery charger from the Scooter.



9.2.3 Removing and fitting batteries



WARNING:

Danger of injury if the batteries are not handled correctly during assembly and maintenance work!

- *New batteries should be installed by authorised technicians!*
- *Observe the warnings on the batteries!*
- *Take into account the heavy weight of the batteries!*
- *Only ever use the battery type defined in the technical specifications (see "**Technical specifications**" on page 84)!*

Danger of fire and burns if battery terminals are short-circuited!

- *DO NOT short-circuit battery terminals with a tool!*
-



WARNING:

Corrosion and burns from acid leakage if batteries are damaged!

- *Remove clothes that have been soiled by acid immediately.*

After contact with skin:

- *Immediately wash affected area with lots of water.*

After contact with eyes:

- *Immediately rinse eyes under running water for several minutes; consult a physician.*
-



9.2.3.1 Removing the batteries



Requirements:

- Open spanner, 11 mm.
-
- Remove the seat.
 - Remove the battery and motor compartment cover.
 - Unplug the battery connecting plug (1).
 - Release the battery holder strap.
 - Remove the batteries.



- Loosen the blue cable on the negative battery terminal with the open-ended spanner, and remove the cable.
- Loosen the red cable battery clamp on the positive battery terminal with the open-ended spanner, and remove the cable.
- Repeat the procedure for the other battery



NOTE:
Replacing new batteries takes place in reverse order.

9.2.3.2 How to handle damaged batteries correctly



WARNING:

Corrosion and burns from acid leakage if batteries are damaged!

- *Remove clothes that have been soiled by acid immediately.*

After contact with skin:

- *Immediately wash affected area with lots of water.*

After contact with eyes:

- *Immediately rinse eyes under running water for several minutes; consult a physician.*
-

- Always wear safety goggles and appropriate safety clothing when handling damaged batteries.
- Place damaged batteries in an acid-resistant receptacle immediately after removing them.
- Only ever transport damaged batteries in an appropriate acid-resistant receptacle.
- Wash all objects that have come into contact with acid with lots of water.

Disposing of dead or damaged batteries correctly

Dead or damaged batteries can be given back to your dealer or directly to Invacare®.

10 Care and maintenance

The term „Maintenance“ means any task performed to ensure that a medical device is in good working order and ready for use as intended. Maintenance encompasses different areas, such as everyday care and cleaning, inspection checks, repair tasks and refurbishment.



NOTE:

Have your vehicle checked once a year by an authorised Invacare® dealer in order to maintain it's driving safety and roadworthiness.

10.1 Cleaning the mobility device

When cleaning the mobility device, pay attention to the following points:

- Only use a damp cloth and gentle detergent.
- Do not use any abrasive or scouring agents.
- Do not subject the electronic components to any direct contact with water.
- Do not use any high-pressure cleaning devices.

Disinfection

Spray or wipe disinfection using a tested and recognised product is permitted. A list of the current permitted disinfectants is available from the Robert Koch Institute at <http://www.rki.de>.

10.2 Inspection checks

The following table lists inspection checks that should be performed by the user and their intervals. If the mobility device fails to pass one of the inspection checks, please refer to the chapter

indicated or contact your authorised Invacare® dealer. A more comprehensive list of inspection checks and instructions for maintenance work can be found in the Service Manual for this device, which can be obtained from Invacare®. That Manual, however, is intended to be used by trained and authorised service technicians, and describes tasks which are not intended to be performed by the user.

Maintenance Jobs	When Delivered	Weekly	Monthly
Seat and backrest padding:			
<ul style="list-style-type: none"> • Check for perfect condition. 			✓
Tyres:			
<ul style="list-style-type: none"> • Have tyres checked for specified air pressure (2,5 bar). 	✓	✓	
Front wheels			
<ul style="list-style-type: none"> • Front wheels must spin smoothly. 		✓	
<ul style="list-style-type: none"> • If wheels wobble or do not spin easily, adjust steering pivot pin or front wheel bearing. 			✓
Rear wheels:			
<ul style="list-style-type: none"> • Test wheel for firm seat on the axle drive shaft. 			✓
<ul style="list-style-type: none"> • Rear wheels must spin without wobbling 			✓
Electronics / Electrical System:			
<ul style="list-style-type: none"> • Check all plug connections for condition and firm connection. 			✓
<ul style="list-style-type: none"> • Have batteries been fully charged before the daily operation? 	Before every trip		
<ul style="list-style-type: none"> • Are all holders, screws firmly fixed, tight and safe? 			✓
<ul style="list-style-type: none"> • Are all electric bulbs of the lighting system (if applicable) in working order? 	Before each trip		

Cleaning:			
• Clean all parts carefully.	When necessary		

11 Repair instructions

The following are instructions on repairs that can be performed by the user. For the specifications of spare parts please see "**Technical specifications**" on page **84**, or consult the Service Manual, available from Invacare® (in this connection please see the addresses and phone numbers in section "**How can you get in touch with Invacare®?**" on page **3**). In case you require assistance, please contact your Invacare® Dealer.

11.1 Repairing a flat tyre



WARNING: Danger of damage or injury if the vehicle is accidentally set into motion during repairs!

- *Switch the power off (ON/OFF Button)!*
 - *Engage the motors!*
 - *Secure the vehicle against rolling away by placing wedges under the wheels!*
-

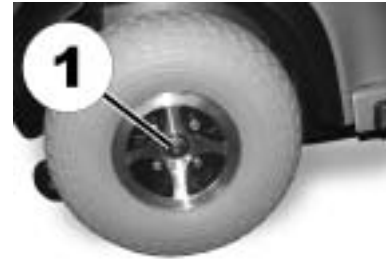
11.1.1 Mending punctures (pneumatic tyres of type 4.00 - 5)



Requirements:

- Open spanner, 17 mm.
 - Rubber hammer
-

- Raise the vehicle and place wooden blocks underneath to support it.
- Remove the wheel locknut (1) with a 17 mm open-ended spanner.
- Remove the wheel by tapping it gently with the rubber hammer on the rear face to carefully loosen it from the axle.



Problems when removing wheel?

It may be necessary to use a special tool Please ask your Invacare® dealer to help you.

11.1.1.1 Repairing punctured tyres



Requirements

- inner tube repair set **or** a new inner tube
 - talcum powder
 - open-ended spanner, 12 mm
-
- Remove valve cap.
 - De-inflate the tyre by pressing in the centre valve pin.
 - Loosen the 4 bolts (1) with the socket spanner and remove them.
 - Remove both wheel rim halves out of the tyre and remove the inner tube.
 - Repair the inner tube and refit in the wheel, or replace it with a new inner tube.





Did the old inner tube get wet during the repair?

If you repaired the old inner tube and reused it, and it became wet during repair, it is much easier to refit it into the wheel if you powder it lightly with talcum powder.

- Refit the wheel rim parts from outside into the tyre.
- Pump up the tyre lightly.
- Reinsert the nuts and bolts which hold the wheel rim together and tighten fully.
- Make sure that the tyre is properly located on the wheel rim.
- Inflate the tyre up to the recommended tyre pressure (2.8 bar).
- Check to make sure that the tyre is still located properly on the wheel rim.
- Screw the valve cap back on.
- Locate the wheel on the drive shaft again.
- Apply the handbrake and hold it there to centre the brake.
- Tighten the wheel locknut with the handbrake applied.

12 Transport



CAUTION: Danger of death or serious injury to the mobility device user and potentially any other nearby occupant of the vehicle, if a mobility device is secured using a 4-point tie-down system available from a third party supplier and the unladen weight of the mobility device exceeds the maximum weight for which the tie-down system is certified!

- *Make sure the weight of the mobility device does not exceed the weight for which the tie-down system is certified. Consult the tie-down manufacturer's documentation.*
 - *If you are unsure how much your mobility device weighs, then you must have it weighed using calibrated scales.*
-



WARNING! Risk of severe or fatal injuries in the event of a traffic accident if this mobility device is used as a vehicle seat! It does not fulfill the requirements of ISO 7176-19:2001.

- *Under no circumstances should this mobility device be used as a vehicle seat or to transport the user in a vehicle.*
-

12.1 Transferring the wheelchair to a vehicle



WARNING: The wheelchair is in danger of tipping over if it is transferred to a vehicle while the driver is still seated in the wheelchair!

- *Transfer the wheelchair without the driver whenever possible!*
 - *If the wheelchair with the driver has to be transferred to a vehicle using a ramp, ensure that the ramp does not exceed the maximum safe slope (see chapter "**Technical specifications**" starting on page **84**)!*
 - *If the wheelchair has to be transferred to a vehicle using a ramp that does exceed the maximum safe slope (see chapter "**Technical specifications**" starting on page **84**), a winch must then be used! An attendant can then safely monitor and assist the transfer process!*
 - *Alternatively, a platform lift may be used!*
 - *Ensure that the total weight of the power wheelchair including the user does not exceed the maximum permitted total weight for the ramp or platform lift!*
 - *The wheelchair should always be transferred to a vehicle with the backrest in an upright position, the seat lifter lowered and the seat tilt in the upright position (see chapter "**Driving up and down gradients**" on page **30**)!*
-
- Drive or push your wheelchair into the transport vehicle using a suitable ramp.

12.2 Transporting the wheelchair without occupants



CAUTION: Injury hazard!

- *If you are unable to fasten your electric wheelchair securely in a transport vehicle, Invacare® recommends that you do not transport it!*
-

- Before transporting your wheelchair, make sure the motors are engaged and that the Joystick Box is switched off.

Invacare® strongly recommends that you additionally disconnect or remove the batteries. See "Removing the batteries" on page 72.

- Invacare® strongly recommends securing the wheelchair to the floor of the transporting vehicle.

13 Disposal

- The equipment wrapping is potentially recyclable.
- The metal parts are used for scrap metal recycling.
- The plastic parts are used for plastic recycling.
- Electric components and printed circuit boards are disposed of as electronic scrap.
- Exhausted or damaged batteries can be returned to your medical equipment supplier or Invacare®.
- Disposal must be carried out in accordance with the respective national legal provisions.
- Ask your city or district council for details of the local waste management companies.

14 Technical specifications

The technical information provided hereafter applies to a standard configuration or represents maximum achievable values. These can change if accessories are added. The precise changes to these values are detailed in the sections for the respective accessories.

Permissible operating and storage conditions	
Temperature range for operation according to ISO 7176-9:	• -25° ... +50 °C
Temperature range for storage according to ISO 7176-9:	• -40° ... +65 °C

Electrical system	Comet	Comet ^{HD} / Comet ^{Alpine}
Motor	<ul style="list-style-type: none"> • 10 km/h: S1: 250 W, Max_{peak} 1200 W • 12.8 km/h: S1: 250 W, Max_{peak} 1200 W • 15 km/h: S1: 250 W, Max_{peak} 1200 W 	<ul style="list-style-type: none"> • 10 km/h: S1 650 W, Max_{peak} 1800 W
Batteries	<ul style="list-style-type: none"> • 2 x 12 V/70 Ah (C20) leakproof/gel • 2 x 12 V/75 Ah (C20) leakproof/AGM 	
Main fuse	• 70 A	• 100 A

Charging device	
Output current	• 8 A ±
Output voltage	• 24 V nominal (12 cells)
Input voltage	• 200 – 250 V nominal
Operating temperature (surroundings)	• -25° ... +50 °C
Storage temperature	• -40° ... +65 °C

Tyres	
Tyre type	<ul style="list-style-type: none"> 4.00 - 5 pneumatic <p>The recommended maximum tyre pressure in bar or kpa is marked on the side wall of the tyre or the rim. If more than one value is listed, the lower one in the corresponding units applies. (Tolerance = -0.3 bar, 1 bar = 100 kpa)</p>
Tyre type	<ul style="list-style-type: none"> 13" puncture-proof

Driving characteristics	Comet	Comet^{HD} / Comet^{Alpine}
Speed	<ul style="list-style-type: none"> 10 km/h 12.8 km/h 15 km/h 	<ul style="list-style-type: none"> 10 km/h
Min. braking distance	<ul style="list-style-type: none"> 2100 mm (10 km/h) 3300 mm (12,8 km/h) 4500 mm (15 km/h) 	
Max. safe slope *****	<ul style="list-style-type: none"> 3-wheel: 10° (18 %) 4-wheel: 10° (18 %) 	<ul style="list-style-type: none"> 4-wheel: 10° (18 %)
Max. climbable obstacle height	<ul style="list-style-type: none"> 100 mm 	
Turning diameter	<ul style="list-style-type: none"> 3-wheel: 3130 mm 4-wheel: 3260 mm 	<ul style="list-style-type: none"> 4-wheel: 3260 mm
Turning width	<ul style="list-style-type: none"> 	
Drive range in accordance with ISO 7176-4:2008 ***	<ul style="list-style-type: none"> 10 km/h: 60 km 12.8 km/h: 55 km 15 km/h: 55 km 	<ul style="list-style-type: none"> 50 km

Dimensions	Comet	Comet^{Alpine} / Comet^{HD}
Overall length	<ul style="list-style-type: none"> 3-wheel: 1450 mm 4-wheel: 1475 mm 	<ul style="list-style-type: none"> 4-wheel: 1475 mm
Drive unit width	<ul style="list-style-type: none"> 660 mm 	

Dimensions	Comet	Comet^{Alpine}	Comet^{HD}
Overall width (armrest adjustment range)	<ul style="list-style-type: none"> • 630 ... 725 mm 		
Total height	<ul style="list-style-type: none"> • 1255 mm 		<ul style="list-style-type: none"> • 1290 mm
Seat width	<ul style="list-style-type: none"> • 510 mm 		<ul style="list-style-type: none"> • 660 mm
Seat depth	<ul style="list-style-type: none"> • 485 mm 		<ul style="list-style-type: none"> • 535 mm
Seat height	<ul style="list-style-type: none"> • 440 / 465 / 490 / 515 mm 		
Backrest angle	<ul style="list-style-type: none"> • 95° ... 145° 		<ul style="list-style-type: none"> • 95° ... 120°
Armrest height	<ul style="list-style-type: none"> • 200 ... 245 mm 		

Weight	Comet	Comet^{Alpine}	Comet^{HD}
Kerb weight	<ul style="list-style-type: none"> • 3-wheel: 133 kg • 4-wheel: 136 kg 	<ul style="list-style-type: none"> • 4-wheel: 143 kg 	<ul style="list-style-type: none"> • 4-wheel: 148 kg

Component weights	
Chassis	<ul style="list-style-type: none"> • 3-wheel: approx. 60 kg • 4-wheel: approx. 63 kg
Batteries	<ul style="list-style-type: none"> • approx. 26 kg per battery
Seat unit	<ul style="list-style-type: none"> • approx. 21 kg

Payload	Comet / Comet^{Alpine}	Comet^{HD}
Max. payload	<ul style="list-style-type: none"> • 160 kg 	<ul style="list-style-type: none"> • 220 kg

Axle loads	Comet	Comet^{Alpine}	Comet^{HD}
Max. front axle load	<ul style="list-style-type: none"> • 3-wheel: 86 kg • 4-wheel: 87 kg 	<ul style="list-style-type: none"> • 4-wheel: 90 kg 	<ul style="list-style-type: none"> • 4-wheel: 110 kg
Max. rear axle load	<ul style="list-style-type: none"> • 3-wheel: 206 kg • 4-wheel: 209 kg 	<ul style="list-style-type: none"> • 4-wheel: 212 kg 	<ul style="list-style-type: none"> • 4-wheel: 258 kg

*** Note: The drive range of an electric wheelchair is strongly influenced by external factors, such as the charging state of the batteries, surrounding temperature, local topography, road surface characteristics, tyre pressure, weight of driver, drive style and use of batteries for lighting, servos etc.

The specified values are theoretical maximum achievable values measured according to ISO 7176-4:2008.

**** Measured without seat cushion

***** Static stability according to ISO 7176-1 = 9° (15,8 %)

Dynamic stability according to ISO 7176-2 = 6° (10,5 %)

15 Inspections Performed

It is confirmed by stamp and signature that all jobs listed in the inspection schedule of the Service and Repair Instructions have been properly performed. The list of the inspection jobs to be performed can be found in the Service Manual which is available through Invacare®.

<u>Delivery Inspection</u>	<u>1st Annual Inspection</u>
Stamp of authorised Dealer / Date / Signature	Stamp of authorised Dealer / Date / Signature
<u>2nd Annual Inspection</u>	<u>3rd Annual Inspection</u>
Stamp of authorised Dealer / Date / Signature	Stamp of authorised Dealer / Date / Signature
<u>4th Annual Inspection</u>	<u>5th Annual Inspection</u>
Stamp of authorised Dealer / Date / Signature	Stamp of authorised Dealer / Date / Signature

Hersteller / Manufacturer / Fabricante / Proizvođač:

CHIEN TI ENTERPRISE CO. LTD.

No. 13, Lane 227, Fu Ying Road

Hsin Chuang, Taipei, Taiwan

R.O.C.

Inverkehrbringer / European Representative / Representante europeo / Predstavništvo u Europi:

EMERGO EUROPE

Molenstraat 15

2513 BH, The Hague

The Netherlands

Distribution / Distribución / Distribucija:

France, Italia, España, Portugal

Invacare® Poirier SAS

Route de St Roch

F-37230 Fondettes

France

Tel: (33) (0) 247 - 62 64 66, Fax: (33) (0) 247 - 42 12 24

United Kingdom, Ireland

Invacare® Ltd

Pencoed Technology Park

Pencoed

Bridgend CF35 5AQ

United Kingdom

Tel: (44) (0) 1656 - 77 62 22, Fax: (44) (0) 1656 - 77 62 20

Sweden, Danmark, Nederland

Invacare REA

Växjövägen 303

S-343 71 DIÖ

Sweden

Tel: (46) (0) 476 - 535 00, Fax: (46) (0) 476 - 535 99

Deutschland, Eastern Europe

Invacare Deutschland GmbH

Kleiststraße 49

32457 Porta Westfalica

Deutschland

Tel: (49) (0) 5731 - 754 0, Fax: (49) (0) 5731 - 754 52 191

Order No. of this Manual: 1514597.DOC
Release Date: 2013-03-11

English