

Revo

Owner's Manual



The Ultimate In Style & Performance[®]

Pride
Mobility Products Ltd.

*Unit 106, Heyford Park Camp Road
Upper Heyford, Oxfordshire OX25 5HA*

www.pridemobility.com

SAFETY GUIDELINES

The symbols below are used throughout this owner's manual and on the scooter to identify warnings and important information. It is very important for you to read them and understand them completely.



WARNING! Indicates a potentially hazardous condition/situation that can cause personal injury, equipment and/or property damage.



MANDATORY! These actions should be performed as specified. Failure to perform mandatory actions can cause injury to personnel and/or damage to equipment.



PROHIBITED! These actions are prohibited; do not perform at any time or in any situation. Performing a prohibited action can cause personal injury and/or equipment damage.

Please fill out the following information for quick reference:

Pride Dealer: _____	
Address: _____	
Phone Number: _____	
Purchase Date: _____	Serial Number: _____

NOTE: This owner's manual is compiled from the latest specifications and product information available at the time of publication. We reserve the right to make changes as they become necessary. Any changes to our products may cause slight variations between the illustrations and explanations in this manual and the product you have purchased.



CONTENTS

I. INTRODUCTION.....	4
II. SAFETY	5
III. SPECIFICATIONS	16
IV. YOUR SCOOTER	18
V. BATTERIES AND CHARGING	21
VI. OPERATION	27
VII. COMFORT ADJUSTMENTS.....	29
VIII. DISASSEMBLY AND ASSEMBLY	31
IX. BASIC TROUBLESHOOTING	34
X. CARE AND MAINTENANCE	36
XI. WARRANTY.....	39

I. INTRODUCTION

SAFETY

Welcome to Pride Mobility Products Ltd. (Pride). The product you have purchased combines state-of-the-art components with **safety**, comfort and styling in mind. We are confident the design features will provide you with the conveniences you expect during your daily activities. Understanding how to **safely** operate and care for this product should bring you years of trouble free operations and service.

Read and follow all instructions, warnings and notes in this manual and all other accompanying literature before attempting to operate this product for the first time. In addition, your **safety** depends upon you, as well as your dealer, carer or healthcare professional in using good judgement.

If there is any information in this manual which you do not understand or if you require additional assistance for setup or operation, please contact your authorised Pride Dealer. **Failure to follow the instructions, warnings and notes in this manual and those located on your Pride product can result in personal injury or product damage and will void Pride's product warranty.**

PURCHASER'S AGREEMENT

By accepting delivery of this product, you promise that you will not change, alter or modify this product or remove or render inoperable or unsafe any guards, shields or other safety features of this product; fail, refuse or neglect to install any retrofit kits from time to time provided by Pride to enhance or preserve the safe use of this product.

INFORMATION EXCHANGE

We want to hear your questions, comments and suggestions about this manual. We would also like to hear about the safety and reliability of your new scooter and about the service you received from your authorised Pride Dealer. Please notify us of any change of address, so we can keep you apprised of important information about safety, new products and new options that can increase your ability to use and enjoy your scooter. Please feel free to contact us at the address below:

Pride Mobility Products Ltd.
Unit 106, Heyford Park Camp Road
Upper Heyford, Oxfordshire OX25 5HA

NOTE: If you ever lose or misplace your product registration card or your copy of this manual, contact us and we will be glad to send you a new one immediately.

II. SAFETY

PRODUCT SAFETY SYMBOLS

The symbols below are used on the scooter to identify warnings, mandatory actions and prohibited actions. It is very important for you to read and understand them completely.



Pinch/Crush points created during assembly.



Corrosive chemicals contained in battery. Use only AGM or Gel-Cell batteries to reduce the risk of leakage or explosive conditions.



Read and follow the information in the owner's manual.



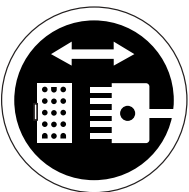
Maximum seating weight.



Unlocked and in freewheel mode.

Place unit on level ground and stand behind or to one side when changing from drive mode to freewheel mode or freewheel mode to drive mode.

Locked and in drive mode.



Front-to-rear plug orientation.

II. SAFETY



Do not use a cell phone, walkie/talkie, laptop or other radio transmitter while operating.



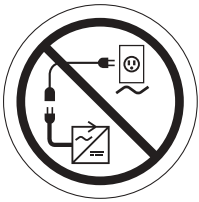
Do not remove anti-tip wheels.



Avoid exposure to rain, snow, ice, salt or standing water whenever possible. Maintain and store in a clean and dry condition.



Removal of grounding prong can create electrical hazard. If necessary, properly install an approved 3-pronged adapter to an electrical outlet having 2-pronged plug access. Failure to heed could result in personal injury and/or property damage.



Prevent personal injury and equipment damage. Do not connect an extension lead to the AC/DC converter or the battery charger.



Disposal and recycling-Contact your authorised Pride Dealer for information on proper disposal of your Pride product and its packaging.

II. SAFETY

GENERAL



MANDATORY! Do not operate your new scooter for the first time without completely reading and understanding this owner's manual.

Your scooter is a state-of-the-art life-enhancement device designed to increase mobility. Pride provides an extensive variety of products to best fit the individual needs of the scooter user. Please be aware that the final selection and purchasing decision regarding the type of scooter to be used is the responsibility of the scooter user who is capable of making such a decision and his/her healthcare professional (i.e., medical doctor, physical therapist, etc.).

There are certain situations, including some medical conditions, where the scooter user will need to practice operating the scooter in the presence of a trained attendant. A trained attendant can be defined as a family member or care professional specially trained in assisting a scooter user in various daily living activities.

As you begin using your scooter during daily activities, you will probably encounter situations in which you will need some practice. Simply take your time and you will soon be in full and confident control as you manoeuvre through doorways, on and off of a lift, up and down ramps and over moderate terrain.

Below are some precautions, tips and other safety considerations that will help you become accustomed to operating the scooter safely.

MODIFICATIONS

Pride has designed and engineered your scooter to provide maximum mobility and utility. A wide range of accessories is available from your authorised Pride Dealer to further customise your scooter to better suit your needs and/or preferences. However, under no circumstances should you modify, add, remove or disable any feature, part or function of your scooter.



WARNING! Do not modify your scooter in any way not authorised by Pride. Unauthorised modifications may result in personal injury and/or damage to your scooter.

REMOVABLE PARTS



WARNING! Prevent personal injury and/or product damage! Do not attempt to lift or move your scooter by any of its removable parts, including the armrests, seat or shroud.

II. SAFETY

PRE-RIDE SAFETY CHECK

Get to know the feel of your scooter and its capabilities. Pride recommends that you perform a safety check before each use to make sure your scooter operates smoothly and safely.

Perform the following inspections prior to using your scooter:

- Check for proper tyre inflation (if equipped with pneumatic tyres).
- Check all electrical connections. Make sure they are tight and not corroded.
- Check all harness connections. Make sure they are secured properly.
- Check the brakes.
- Check battery charge.

If you discover a problem, contact your authorised Pride Dealer for assistance.

TYRE INFLATION

If your scooter is equipped with pneumatic tyres, you should check or have the air pressure checked regularly. Proper inflation pressures will prolong the life of your tyres and help ensure the smooth operation of your scooter.

WARNING! It is critically important that 2-2.4 bar (30-35 psi) tyre pressure be maintained in pneumatic tyres at all times. Do not underinflate or overinflate your tyres. Low pressure may result in loss of control and overinflated tyres may burst. Failure to maintain 2-2.4 bar (30-35 psi) tyre pressure in pneumatic tyres at all times may result in tyre and/or wheel failure, causing serious personal injury and/or damage to your scooter.



WARNING! Inflate your scooter tyres from a regulated air source with an available pressure gauge. Inflating your tyres from an unregulated air source could overinflate them, resulting in a burst tyre and/or personal injury.

WEIGHT LIMITATIONS

Your scooter is rated for a maximum weight capacity. Refer to the specifications table for information.

WARNING! Exceeding the weight capacity voids your warranty and may result in personal injury and damage to your scooter. Pride will not be held responsible for injuries and/or property damage resulting from failure to observe weight limitations.



WARNING! Do not carry passengers on your scooter. Carrying passengers may result in personal injury and/or property damage.

INCLINE INFORMATION

More and more buildings have ramps with specified degrees of inclination, designed for easy and safe access. Some ramps may have turning switchbacks (180-degree turns) that require you to have good cornering skills on your scooter.

- Proceed with extreme caution as you approach the downgrade of a ramp or other incline.
- Take wide swings with your scooter around any tight corners. If you do that, the scooter's rear wheels will follow a wide arc, not cut the corner short and not bump into or get hung up on any railing corners.
- When driving down a ramp, keep the scooter's speed adjustment set to the slowest speed setting to ensure a safely controlled descent.
- Avoid sudden stops and starts.

II. SAFETY

When climbing an incline, try to keep your scooter moving. If you must stop, start up again slowly and then accelerate cautiously. When driving down an incline, do so by setting the speed adjustment dial to the slowest setting and driving in the forward direction only. If your scooter starts to move down the incline faster than you anticipated or desired, allow it to come to a complete stop by releasing the throttle control lever. Then push the throttle control lever forward slightly to ensure a safely controlled descent.

WARNING! When climbing an incline, do not zigzag or drive at an angle up the face of the incline. Drive your scooter straight up the incline. This greatly reduces the possibility of a tip or a fall. Always exercise extreme caution when negotiating an incline.

WARNING! Do not drive your scooter across the side of an incline or diagonally up or down an incline; do not stop, if possible, while driving up or down an incline.



WARNING! You should not travel up or down a potentially hazardous incline (i.e., areas covered with snow, ice, cut grass or wet leaves).

WARNING! When on any sort of an incline or decline, never place the scooter in freewheel mode while seated on it or standing next to it.

WARNING! Even though your scooter is capable of climbing slopes greater than those illustrated in figures 1, 1A and 1B do not under any circumstances exceed the incline guidelines or any other specifications presented in this manual. Doing so could cause instability in your scooter, resulting in personal injury and/or damage to your scooter.

Handicap public access ramps are not subject to government regulation in all countries and therefore do not necessarily share the same standard percent of slope. Other inclines may be natural or, if man-made, not designed specifically for scooters. Figures 1, 1A and 1B illustrate your scooter's stability and its ability to climb grades under various weight loads and under controlled testing conditions.

These tests were conducted with the scooter's seat in the highest position and adjusted rearward on the seat base to its farthest rearward position. Use this information as a guideline. Your scooter's ability to travel up inclines is affected by your weight, your scooter's speed, your angle of approach to the incline and your scooter setup.

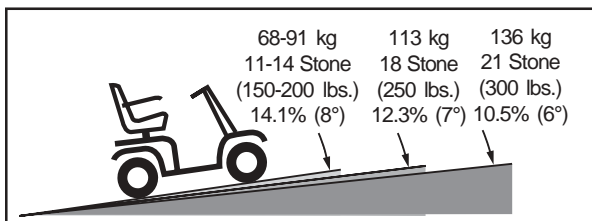


Figure 1. 3-wheel Maximum Recommended Incline Angles

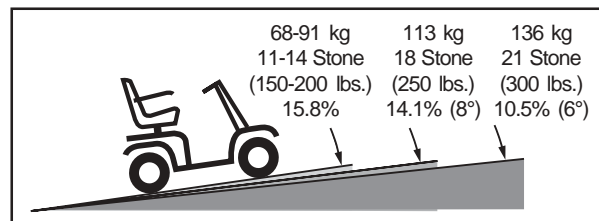


Figure 1A. 4-wheel Maximum Recommended Incline Angles

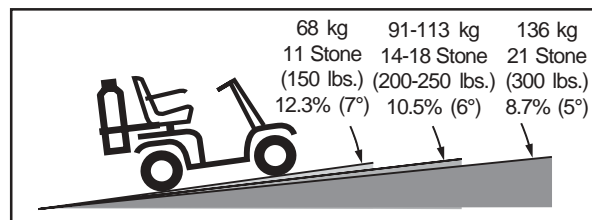


Figure 1B. Maximum Recommended Incline Angles (With Oxygen Tank)



WARNING! Never carry an oxygen tank weighing more than 7 kg (15 lbs.). Never fill the rear basket with contents exceeding 7 kg (15 lbs.).

II. SAFETY



WARNING! Any attempt to climb or descend a slope steeper than what is shown in figures 1, 1A and 1B may put your scooter in an unstable position and cause it to tip, resulting in personal injury.

When you approach an incline, it is best to lean forward. See figures 2 and 2A. This shifts the centre of gravity of you and your scooter toward the front of the scooter for improved stability.

NOTE: When negotiating ramps, if the throttle control lever is released while moving forward, the powered scooter may "rollback" approximately 30.5 cm (1 foot) before the brake engages. If the throttle control lever is released while moving in reverse, the powered scooter may "rollback" approximately one meter (3 feet) before the brake engages.

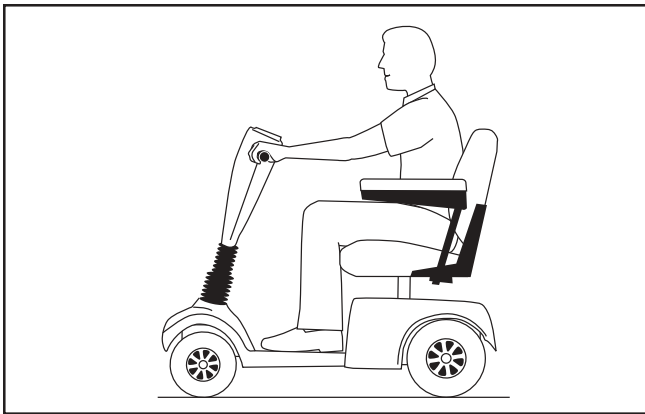


Figure 2. Normal Driving Position

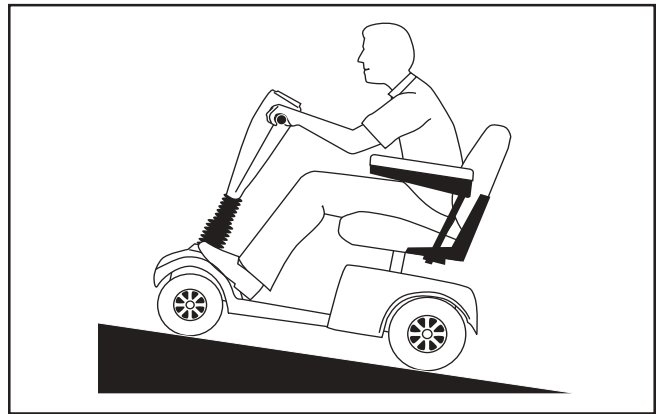


Figure 2A. Increased Stability Driving Position

CORNERING INFORMATION

Excessively high cornering speeds can create the possibility of tipping. Factors which affect the possibility of tipping include, but are not limited to, cornering speed, steering angle (how sharply you are turning), uneven road surfaces, inclined road surfaces, riding from an area of low traction to an area of high traction (such as passing from a grassy area to a paved area – especially at high speed while turning) and abrupt directional changes. High cornering speeds are not recommended. If you feel that you may tip over in a corner, reduce your speed and steering angle (i.e., lessen the sharpness of the turn) to prevent your scooter from tipping.



WARNING! When cornering sharply, reduce your speed. When using your scooter at higher speeds, do not corner sharply. This greatly reduces the possibility of a tip or fall. To avoid personal injury or property damage, always exercise common sense when cornering.

BRAKING INFORMATION

Your scooter is equipped with these powerful brake systems:

- **Regenerative:** Uses electricity to rapidly slow the vehicle when the throttle control lever returns to the centre/stop position.
- **Disc Park Brake:** Activates mechanically after regenerative braking slows the vehicle to near stop or when power is removed from the system for any reason.

II. SAFETY

OUTDOOR DRIVING SURFACES

Your scooter is designed to provide optimum stability under normal driving conditions—dry, level surfaces composed of concrete, blacktop or tarmac. However, Pride recognises that there will be times when you will encounter other surface types. For this reason, your scooter is designed to perform admirably on packed soil, grass and gravel. Feel free to use your scooter safely on lawns and in park areas.

- Reduce your scooter's speed when driving on uneven terrain and/or soft surfaces.
- Avoid tall grass that can become tangled in the running gear.
- Avoid loosely packed gravel and sand.
- If you feel unsure about a driving surface, avoid that surface.

PUBLIC STREETS AND ROADWAYS



WARNING! Exercise extreme caution when operating the scooter on footpaths, pavements, bridleways, pedestrian areas and roads. Obey the Code of Practice for Class 3 vehicle users. Failure to heed could result in serious injury and/or damage to your scooter.

NOTE: A copy of the Department of Transportation, Code of Practice for Class 3 vehicle users, may be obtained by contacting your authorised Pride Dealer.

STATIONARY OBSTACLES (STEPS, KERBS, ETC.)

WARNING! Do not drive near raised surfaces, unprotected ledges and/or drop-offs (kerbs, porches, stairs, etc.).

WARNING! Do not attempt to have your scooter climb or descend an obstacle that is inordinately high. Serious personal injury and/or damage may result.



WARNING! Do not attempt to have your scooter proceed rearward down any step, kerb or other obstacle. This may cause the scooter to tip and cause personal injury.

WARNING! Be sure your scooter is traveling perpendicular to any kerb you may be required to ascend or descend. See figures 3 and 3A.

WARNING! Do not attempt to negotiate a kerb that has a height greater than 5 cm (2 in.).

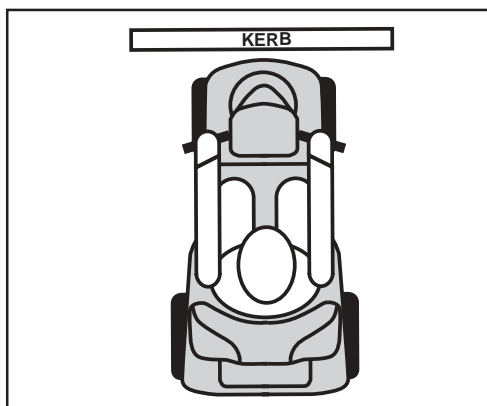


Figure 3. Correct Kerb Approach

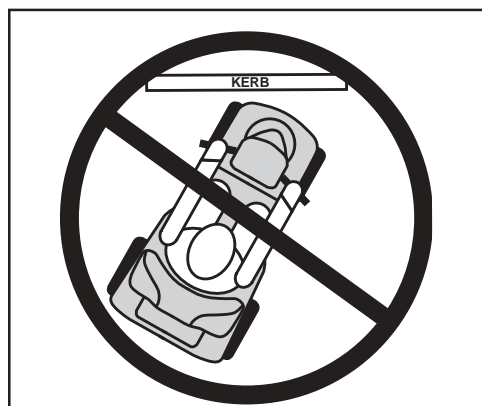


Figure 3A. Incorrect Kerb Approach

II. SAFETY

INCLEMENT WEATHER PRECAUTIONS

Exposure of your scooter to inclement weather conditions should be avoided whenever possible. If suddenly caught up in rain, snow, severe cold or heat while operating your scooter, proceed to shelter at the earliest opportunity. Thoroughly dry your scooter before storing, charging or operating your scooter.



WARNING! Operating in rain, snow, salt, mist/spray conditions and on icy/slippery surfaces can cause personal injury and/or damage to the scooter and electrical system. Maintain and store your scooter in a dry and clean condition.

FREEWHEEL MODE

Your scooter is equipped with a manual freewheel lever that, when pushed forward, allows the scooter to be pushed. For more information about how to place your scooter into and out of freewheel mode, see IV. “Your Scooter.”



WARNING! When your scooter is in freewheel mode, the braking system is disengaged.

- Disengage the drive motors only on a level surface.
- Ensure the key is removed from the key switch.
- Stand behind the scooter to engage or disengage freewheel mode. Never sit on a scooter to do this.
- After you have finished pushing your scooter, always return it to the drive mode to lock the brakes.

Failure to heed the above could result in personal injury and/or damage to your scooter.

An added feature built into the scooter is “**push-too-fast**” protection which safeguards the scooter against gaining excessive speed while in freewheel mode.

“Push-too-fast” operates differently depending on which of two conditions exists:

- If the key is removed from the key switch while in freewheel mode, the scooter’s controller activates regenerative braking when the scooter is pushed faster than a maximum threshold which has been preprogrammed. In this case, the controller is acting as a speed governor.
- If the key is inserted into the key switch while in freewheel mode, you will encounter considerable resistance at any speed. This prevents the scooter from gaining unwanted momentum should the manual freewheel lever inadvertently be released while driving the scooter.

STAIRS AND ESCALATORS

Scooters are not designed to travel up or down stairs or escalators. Always use a lift.



WARNING! Do not use your scooter to negotiate steps or escalators. You may cause injury to yourself and to others and/or damage your scooter.

DOORS

- Determine if the door opens toward or away from you.
- Use your hand to turn the knob or push the handle or push-bar.
- Drive your scooter gently and slowly forward to push the door open. Or drive your scooter gently and slowly rearwards to pull the door open.

II. SAFETY

LIFTS

Modern lifts have a door edge safety mechanism that, when pushed, reopens the door(s).

- If you are in the doorway of a lift when the door(s) begin to close, push on the rubber door edge or allow the rubber door edge to contact the scooter and the door will reopen.
- Use care that handbags, packages or scooter accessories do not become caught in lift doors.

LIFT/ELEVATION PRODUCTS

If you will be traveling with your scooter, you may find it necessary to use a lift/elevation product to aid in transportation. Pride recommends that you closely review the instructions, specifications and safety information set forth by the manufacturer of the lift/elevation product before using that product.



WARNING! Never sit on your scooter when it is being used in connection with any type of lift/elevation product. Your scooter was not designed with such use in mind and any damage or injury incurred from such use is not the responsibility of Pride.

BATTERIES

In addition to following the warnings below, be sure to comply with all other battery handling information.

WARNING! Scooter batteries are heavy (refer to specifications table). Lifting weight beyond your capacity could result in personal injury. If necessary, get someone physically able to lift the scooter batteries for you.

WARNING! Battery posts, terminals and related accessories contain lead and lead compounds. Wash hands after handling.



WARNING! Always protect the batteries from freezing and never charge a frozen battery. Charging a frozen battery may result in personal injury and/or damage to the battery.

WARNING! RED (+) cables must be connected to positive (+) battery terminals/posts. BLACK (-) cables must be connected to negative (-) battery terminals/posts. Failure to connect your battery cables and harnesses in the proper manner may result in personal injury and/or damage to your scooter. REPLACE cables immediately if damaged.

BATTERY DISPOSAL AND RECYCLING

If you encounter a damaged or cracked battery, immediately enclose it in a plastic bag and call your authorised Pride Dealer for instructions on disposal. Your authorised Pride Dealer will also have the necessary information on battery recycling, which is our recommended course of action.

MOTOR VEHICLE TRANSPORT

Pride recommends that you do not remain seated in your scooter while traveling in a motor vehicle. The scooter should be stowed in the boot of a car or in the back of a truck or van with the batteries removed and properly secured.

WARNING! Although your scooter may be equipped with a positioning belt, this belt is not designed to provide restraint during motor vehicle transport. Anyone travelling in a motor vehicle should be properly secured in the motor vehicle seat with safety belts fastened securely.



WARNING! Do not sit on your scooter while it is in a moving vehicle. Personal injury and/or property damage may result.

WARNING! Always be sure your scooter and its batteries are properly secured when it is being transported. Failure to do so may result in personal injury and/or damage to your scooter.

II. SAFETY

PREVENTING UNINTENDED MOVEMENT



WARNING! If you anticipate being seated in a stationary position for an extended period of time, turn off the power. This will prevent unexpected motion from inadvertent throttle control lever contact. Failure to do so may result in personal injury.

GETTING ONTO AND OFF OF YOUR SCOOTER

Getting onto and off of your scooter requires a good sense of balance. Please observe the following safety tips when getting onto and off of your scooter:

- Remove the key from the key switch.
- Ensure that your scooter is not in freewheel mode. See IV. “Your Scooter.”
- Make certain that the seat is locked into place.
- The armrests of the seat can be flipped up to make getting onto and off of the scooter easier.

WARNING! When driving on level ground, position yourself as far back as possible in the scooter seat to prevent the scooter from tipping and causing injury.



WARNING! Prevent personal injury and product damage! Avoid putting all of your weight on the scooter armrests and do not use the armrests for weight bearing purposes, such as transfers. Such use may cause the scooter to tip, resulting in a fall from the scooter.

WARNING! Avoid putting all of your weight on the floorboard. Such use may cause the scooter to tip and cause personal injury.

REACHING AND BENDING

Avoid reaching or bending while driving your scooter. When reaching, bending or leaning while seated on your scooter, it is important to maintain a stable centre of gravity and keep the scooter from tipping. Pride recommends that the scooter user determine his/her personal limitations and practice bending and reaching in the presence of a qualified healthcare professional.



WARNING! Do not bend, lean or reach for objects if you have to pick them up from the floor by reaching down between your knees. Movements such as these may change your centre of gravity and the weight distribution of the scooter and cause your scooter to tip, possibly resulting in personal injury.

WARNING! Prevent personal injury! Keep your hands away from the tyres when driving. Be aware that loose fitting clothing can become caught in drive tyres.

POSITIONING BELTS

Your authorised Pride Dealer, therapist(s) and other healthcare professionals are responsible for determining your requirement for a positioning belt in order to operate your scooter safely.



WARNING! If you require a positioning belt to safely operate your scooter, make sure it is fastened securely. Serious personal injury may result if you fall from the scooter.

II. SAFETY

PRESCRIPTION DRUGS/PHYSICAL LIMITATIONS

The scooter user must exercise care and common sense when operating his/her scooter. This includes awareness of safety issues when taking prescribed or over-the-counter drugs or when the user has specific physical limitations.



WARNING! Consult your physician if you are taking prescribed or over-the-counter medication or if you have certain physical limitations. Some medications and limitations may impair your ability to operate your scooter in a safe manner.

ALCOHOL

The scooter user must exercise care and common sense when operating his/her scooter. This includes awareness of safety issues while under the influence of alcohol.



WARNING! Do not operate your scooter while you are under the influence of alcohol, as this may impair your ability to drive safely.

ELECTROMAGNETIC AND RADIO FREQUENCY INTERFERENCE (EMI/RFI)



WARNING! Laboratory tests have shown that electromagnetic and radio frequency waves can have an adverse affect on the performance of electrically-powered mobility vehicles.

Electromagnetic and Radio Frequency Interference can come from sources such as cellular phones, mobile two-way radios (such as walkie-talkies), radio stations, TV stations, amateur radio (HAM) transmitters, wireless computer links, microwave signals, paging transmitters and medium-range mobile transceivers used by emergency vehicles. In some cases, these waves can cause unintended movement or damage to the control system. Every electrically-powered mobility vehicle has an immunity (or resistance) to EMI. The higher the immunity level, the greater the protection against EMI. This product has been tested and has passed at an immunity level of 20 V/M.

WARNING! Be aware that cell phones, two-way radios, laptops and other types of radio transmitters may cause unintended movement of your electrically-powered mobility vehicle due to EMI. Exercise caution when using any of these items while operating your mobility vehicle and avoid coming into close proximity of radio and TV stations.



WARNING! The addition of accessories or components to the electrically-powered mobility vehicle can increase the susceptibility of the vehicle to EMI. Do not modify your scooter in any way not authorised by Pride.

WARNING! The electrically-powered mobility vehicle itself can disturb the performance of other electrical devices located nearby, such as alarm systems.

NOTE: For further information on EMI/RFI, visit the Resource Centre on www.pridemobility.com. If unintended motion or brake release occurs, turn your scooter off as soon as it is safe to do so. Contact your authorised Pride Dealer to report the incident.

III. SPECIFICATIONS

Model Numbers	3-wheel: SCUK63 4-wheel: SCUK64
Class Of Use	C
Maximum Safe Slope	See figures 1, 1A, 1B.
Maximum Climbing Ability	See figures 1, 1A, 1B.
Maximum Obstacle Climbing Ability	5 cm (2 in.)
Available Colours	Revo Red, Revo Blue
Overall Length²	3-wheel: 110 cm (43.25 in.) 4-wheel: 114.75 cm (44.75 in.)
Overall Width²	54.5 cm (21.5 in.)
Total Weight Including Batteries	3-wheel: 76.5 kg (168.5 lbs.) 4-wheel: 85 kg (187 lbs.)
Total Weight Without Battery Packs	3-wheel: 48 kg (106.5 lbs.) 4-wheel: 57 kg (125 lbs.)
Heaviest Piece When Disassembled	3-wheel: rear section - 22 kg (48 lbs.) 4-wheel: front section - 23 kg (51.5 lbs.)
Turning Radius²	3-wheel: 96.5 cm (38 in.) 4-wheel: 127 cm (50 in.)
Speed (maximum)¹	Variable up to 7.27 (4.5 mph)
Range Per Charge¹	(32 AH batteries) Up to 32 km (20 miles)
Ground Clearance²	6.36 (2.25 in.)
Maximum Weight Capacity	136 kg, 21 stone (300 lbs.)
Standard Seating	Type: Foldable molded plastic Material: Black vinyl with Charcoal fabric centre Dimensions: 45 cm (17 in.) width 41 cm (16 in.) depth 30 cm (12 in.) height
Drive System	Rear-wheel drive, sealed transaxle, with 24 volt, DC motor
Dual Braking System	Electronic, regenerative, and electromechanical
Wheels	3-wheel front: molded plastic 3-wheel rear: aluminum mags 4-wheel front: aluminum mags 4-wheel rear: aluminum mags
Tyres	Type: solid, flat-free Front: 5 cm x 20 cm (2 in. x 8 in.) Rear: 8 cm x 23 cm (3 in. x 9 in.)
Battery Requirements	Type: (2)12-volt, deep-cycle (AGM or Gel-Cell type recommended) Size: U-1 (32 AH) Battery pack weight: 14 kg (31 lbs.) each
Battery Charger	Off-board charger

(1) Varies with user weight, terrain type, battery amp-hour (AH), battery charge, battery condition and tyre condition.

(2) Due to manufacturing tolerances and continual product improvement, this specification can be subject to a variance of (+ or -) 3 %.

NOTE: All specifications subject to change without notice.

III. SPECIFICATIONS

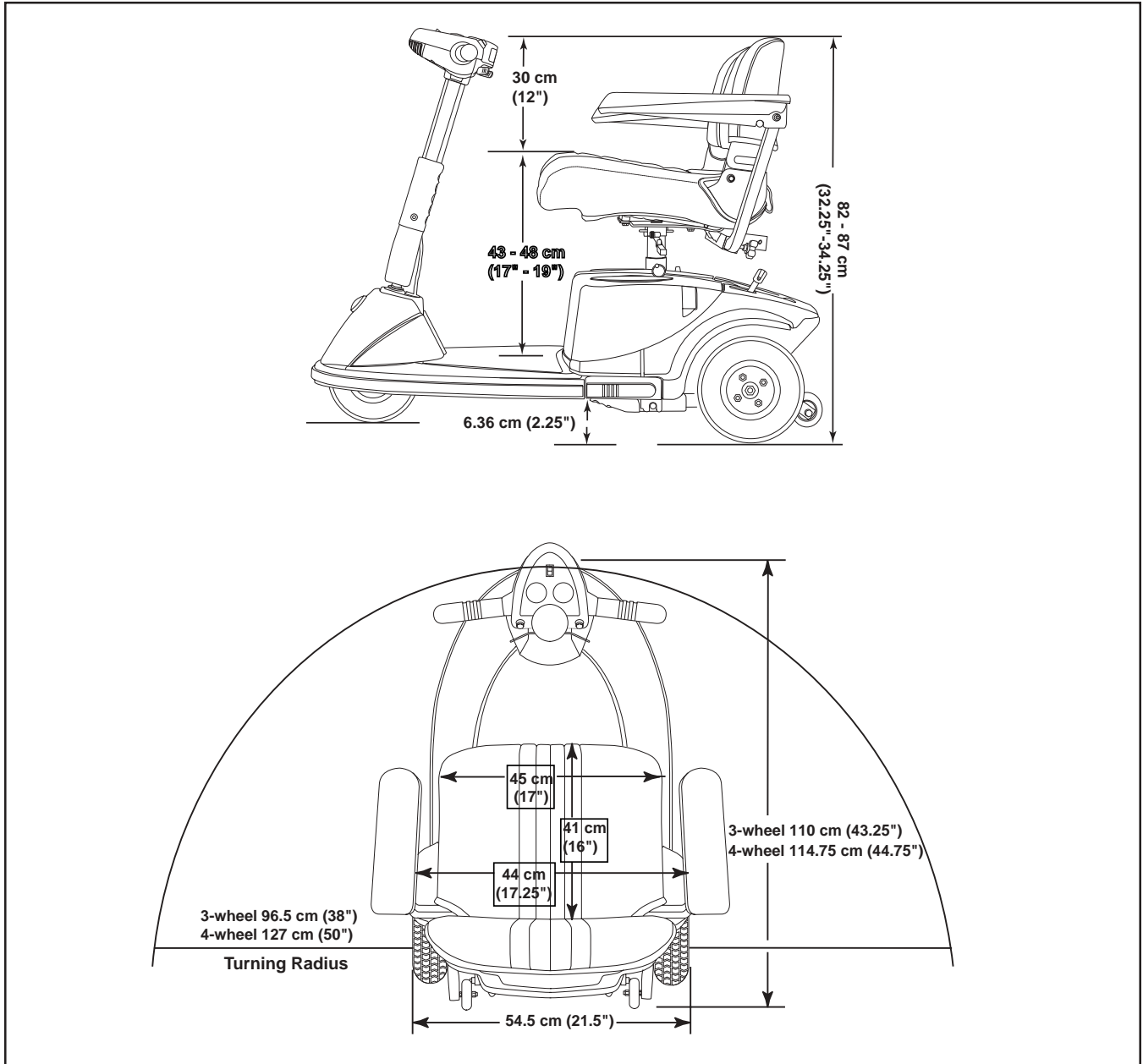


Figure 4. Scooter Dimensions

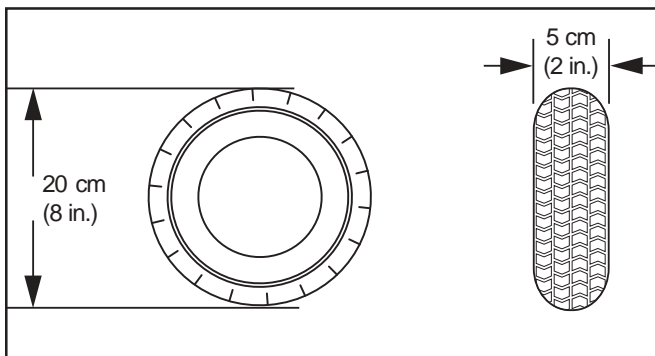


Figure 4A. Front Tyre Dimensions

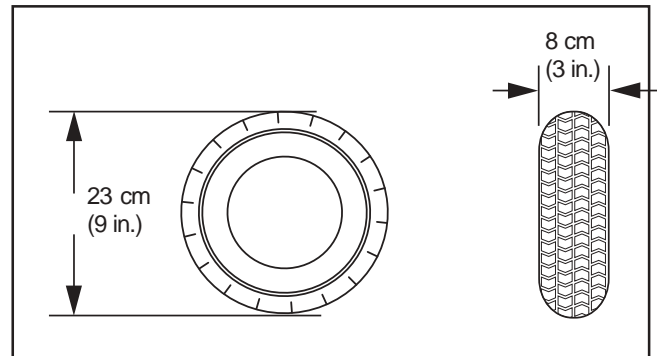


Figure 4B. Rear Tyre Dimensions

IV. YOUR SCOOTER

TILLER CONSOLE

The tiller console houses all controls needed to drive your scooter, including the speed adjustment dial, key switch, throttle control lever, battery condition meter, running lights switch and horn buttons. See figure 5.



WARNING! Do not expose the tiller console to moisture. In the event that the tiller console does become exposed to moisture, do not attempt to operate your scooter until the tiller console has dried thoroughly.

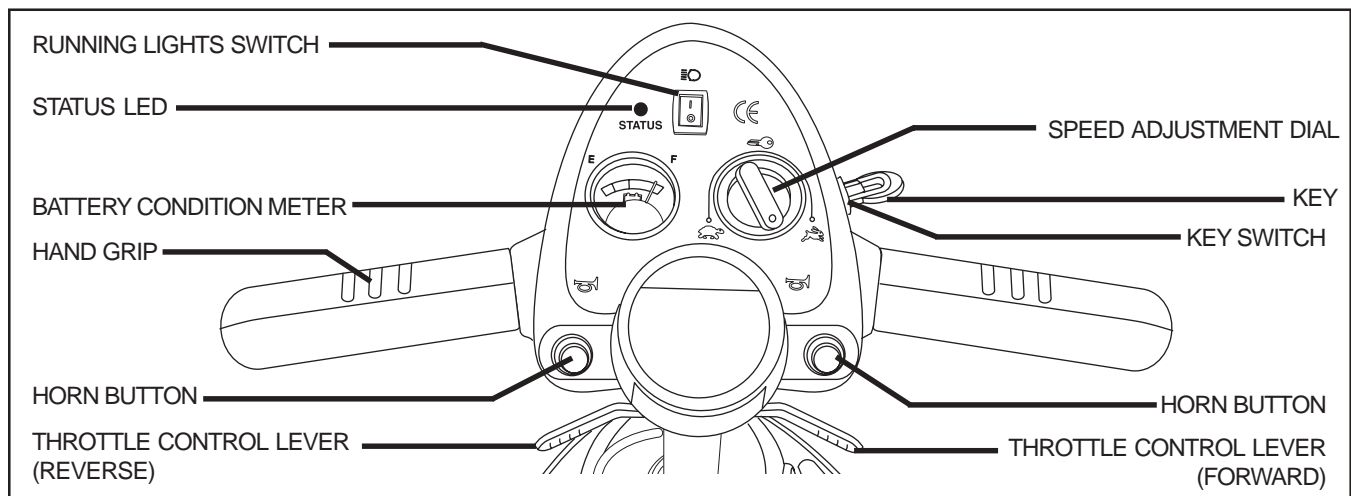


Figure 5. Tiller Console

Key Switch

- Insert the key into the key switch and turn it clockwise to power up (turn on) your scooter.
- Turn the key counterclockwise to power down (turn off) your scooter.

Although the key can be left in the key switch when the scooter is powered down, we recommend removing it to prevent unauthorized use of your scooter.



WARNING! If the key is moved to the “off” position while your scooter is in motion, the electronic brakes engage and your scooter will come to an abrupt stop!

Throttle Control Lever

This lever allows you to control the forward speed and the reverse speed of your scooter up to the maximum speed you preset with the speed adjustment dial.

- Place your right hand on the right handgrip and your left hand on the left handgrip.
- Use your right thumb to push the right side of the lever to disengage your scooter’s brakes and move forward.
- Release the lever and allow your scooter to come to a complete stop before pushing the other side of the lever to move in reverse.
- When the throttle is completely released, it automatically returns to the centre “stop” position and engages your scooter’s brakes.

Running Lights Switch

This button controls your scooter’s front and rear running lights.

- Toggle the switch forward to turn on the running lights.
- Toggle the switch back to turn off the running lights.

Battery Condition Meter

The battery condition meter indicates the approximate strength of your batteries while the scooter is on.

IV. YOUR SCOOTER

Status LED

The status LED will alert you should electrical problems occur with the scooter. The LED remains constantly lit while your scooter is on. If the scooter develops an electrical problem, the status LED will flash a code. See IX. “Basic Troubleshooting” for flash codes. If the status LED flashes a code other than a code listed, contact your authorised Pride Dealer.

Horn Buttons

These buttons activate a warning horn. Your scooter must be powered up for the horn to be operational. Do not hesitate to use the warning horn when doing so may prevent accident or injury.

Speed Adjustment Dial

This dial allows you to select a maximum speed.

- The picture of the tortoise represents the slowest speed setting.
- The picture of the hare represents the fastest speed setting.

REAR SECTION

The manual freewheel lever, anti-tip wheels, battery packs, charger power lead receptacle, main circuit breaker and the motor/transaxle assembly (not shown) are located on the rear section of your scooter. See figure 6.

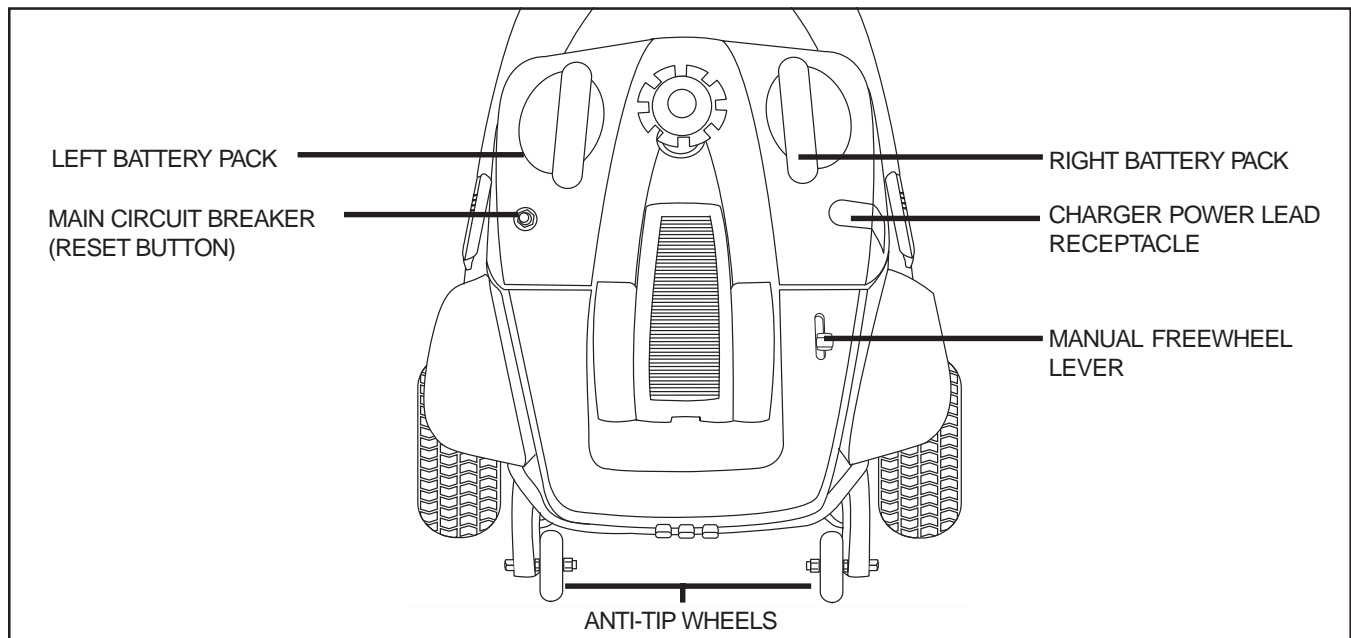


Figure 6. Rear Section

Anti-Tip Wheels

The anti-tip wheels are an integral and important safety feature of your scooter. Do not, under any circumstances, remove the anti-tip wheels from your scooter.



PROHIBITED! Do not remove the anti-tip wheels or modify your scooter in any way that is not authorised by Pride.

IV. YOUR SCOOTER

Battery Packs

The scooter is equipped with two easy-to-remove battery packs. The packs contain the charger power lead receptacle, the main circuit breaker (reset button) and the batteries. The batteries store electrical energy that powers your scooter. See V. “Batteries and Charging.”

Charger Power Lead Receptacle

The charger power lead plugs into your scooter’s battery charger by means of the charger power lead receptacle.

Main Circuit Breaker (Reset Button)

When the voltage in your scooter’s batteries becomes low or the scooter is heavily strained because of excessive loads or steep inclines, the main circuit breaker may trip to protect the motor and electronics from damage.

- The main circuit breaker reset button pops out when the breaker trips.
- When the breaker trips, the entire electrical system of your scooter shuts down.
- Allow a minute or two for your scooter’s electronics to “rest.”
- Push in the reset button to reset the main circuit breaker.
- If the main circuit breaker trips frequently, you may need to charge your batteries more often. You may also need to have your authorised Pride Dealer perform a load test on your scooter’s batteries.

Manual Freewheel Lever

Whenever you need or want to push your scooter for short distances, you can put it in freewheel mode.

- The manual freewheel lever is located at the top right of the rear section.
- Push forward on the manual freewheel lever to disable the drive system and the brake system. You may now push your scooter.
- Push the manual freewheel lever rearward to reengage the drive and the brake systems; this takes your scooter out of freewheel mode.

WARNING! When your scooter is in freewheel mode, the braking system is disengaged.

- Disengage the drive motors only on a level surface.
- Ensure the key is removed from the key switch.
- Stand behind the scooter to engage or disengage freewheel mode. Never sit on a scooter to do this.
- After you have finished pushing your scooter, always return it to the drive mode to lock the brakes.



Failure to heed the above could result in personal injury and/or damage to your scooter.

Motor/Transaxle Assembly (Not Shown)

The motor/transaxle assembly is an electromechanical unit that converts electrical energy from your scooter’s batteries into the controlled mechanical energy that drives the scooter’s wheels.

V. BATTERIES AND CHARGING

Your scooter is equipped with two sealed, maintenance free batteries.

- Charge the batteries prior to using your scooter for the first time.
- Keep the batteries fully charged to keep your scooter running smoothly.

READING YOUR BATTERY VOLTAGE

The battery condition meter on the tiller console uses a colour code to indicate the approximate strength of your batteries. From right to left, green indicates fully charged batteries, yellow a draining charge and red indicates that an immediate recharge is necessary. See figure 7.

To check the battery strength during charging, you must first unplug the charger power lead and power up your scooter by inserting the key into the key switch.

NOTE: *To ensure the highest accuracy, the battery condition meter should be checked while operating your scooter at full speed on a dry, level surface.*

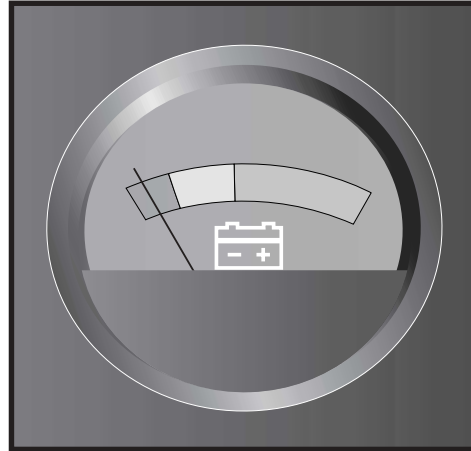


Figure 7. Battery Condition Meter

OFF-BOARD BATTERY CHARGER VOLTAGE SWITCH

The off-board charger supplied with your scooter is equipped with a 115/230 voltage switch. The voltage switch is preset for your specific voltage and is intended to be used with a standard electrical outlet. Ensure this is the case before attempting to insert the charger plug into the electrical outlet. If the setting is incorrect, the charger will not function properly. Slide the switch to the prescribed position. See figure 7A.

NOTE: *Follow the instructions supplied with the off-board charger.*

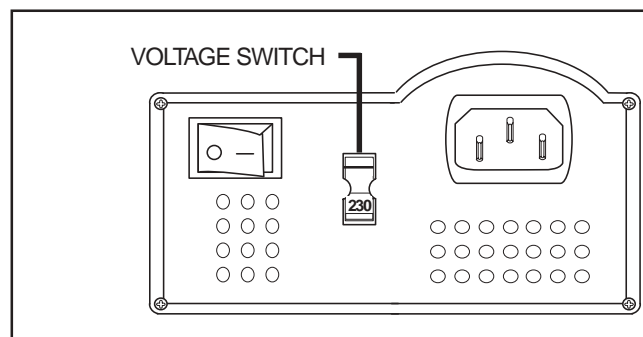


Figure 7A. Voltage Switch

V. BATTERIES AND CHARGING

CHARGING YOUR BATTERIES



PROHIBITED! Never use an extension lead to plug in your battery charger. Plug the charger directly into a properly wired standard electrical outlet.



PROHIBITED! Removal of the grounding prong can create an electrical hazard. If necessary, properly install an approved 3-pronged adapter to an electrical outlet having 2-pronged plug access. Failure to heed could result in personal injury and/or property damage.

WARNING! Ensure that both ends of the charger power lead are clean and dry before plugging the charger power lead into the charger power lead receptacle or the electrical outlet.

WARNING! Prevent injury and/or equipment damage! Read the battery charging instructions in this manual and in the manual supplied with the battery charger before charging the batteries.

WARNING! Prevent injury and/or equipment damage! Do not expose the off-board battery charger to rain or other sources of moisture unless it has been tested for outdoor use. Refer to the manual supplied with the battery charger for more information.



WARNING! Prevent injury and/or equipment damage! Explosive gases may be generated while charging the batteries. Keep the scooter and the battery charger away from sources of ignition such as flames or sparks and provide adequate ventilation when charging the batteries.

WARNING! Prevent injury and/or equipment damage! Inspect the battery charger, wiring, and connectors for damage before each use. Contact your authorised Pride Dealer if damage is found.

WARNING! Prevent injury and/or equipment damage! Do not attempt to open the battery charger case. If the battery charger does not appear to be working correctly, contact your authorised Pride Dealer.

WARNING! Prevent injury and/or equipment damage! If the off-board battery charger is equipped with cooling slots, then do not attempt to insert objects through these slots.

WARNING! Prevent injury and/or equipment damage! Do not allow unsupervised children to play near the scooter while the batteries are charging.

WARNING! Prevent injury and/or equipment damage! If your off-board battery charger has not been tested and approved for outdoor use, then do not expose it to adverse or extreme weather conditions. If the battery charger is exposed to adverse or extreme weather conditions, then it must be allowed to adjust to the difference in environmental conditions before use indoors. Refer to the manual supplied with the battery charger for more information.

V. BATTERIES AND CHARGING

CHARGING THE BATTERIES ON THE SCOOTER

Follow these easy steps to charge your batteries safely:

1. Position your scooter close to a standard electrical outlet.
2. Remove the key from the key switch.
3. Make certain that the manual freewheel lever is in the drive (pushed back) position.
4. Remove the charger power lead receptacle cover from the charger power lead receptacle and plug the 3-pin charger power lead into the receptacle. See figure 8.
5. Make sure the battery charger switch is in the “off” position. See figure 8A.
6. Extend the charger power lead and plug it into the electrical outlet. See figure 8B.
7. Turn the charger on. See figure 8B. It is recommended that you charge your batteries for 8 to 14 hours.
8. When the batteries are fully charged, turn the charger off and unplug the charger power lead from the electrical outlet and then from the charger power lead receptacle.
9. Replace the charger power lead receptacle cover.

NOTE: *There is a charger inhibit function on your scooter. The scooter will not run and the battery condition meter will not operate if the charger power lead is not disconnected from the battery pack.*

CHARGING THE BATTERIES OFF OF THE SCOOTER

Removing the battery packs and charging them off the scooter is convenient should you want to leave the scooter in your vehicle.

To charge the batteries off of the scooter:

1. Remove the battery packs from the scooter and place them on a flat, dry surface in exactly the same positions as they are on the scooter. See VIII. “Disassembly and Assembly” for information on how to remove and position the battery packs.
2. Follow steps 4-9 from above.
3. Reinstall the batteries onto the scooter

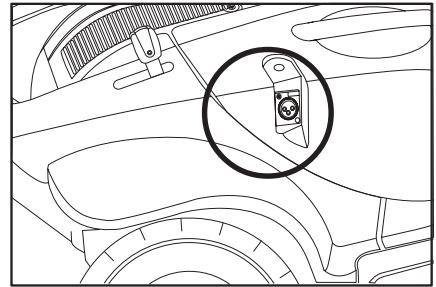


Figure 8. Charger Power Lead Receptacle

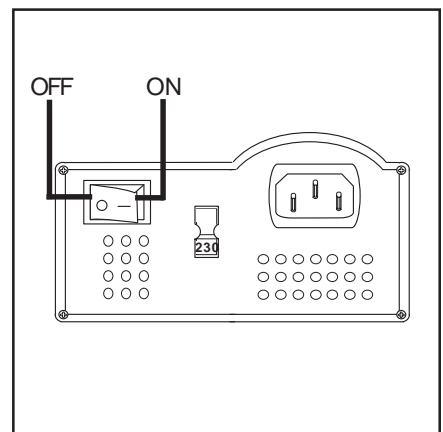


Figure 8A. Charger On/Off Switch

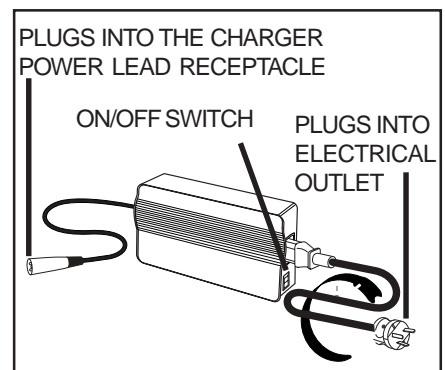


Figure 8B. Off-Board Charger

V. BATTERIES AND CHARGING

FREQUENTLY ASKED QUESTIONS

How does the charger work?

When your scooter's battery voltage is low the charger works harder, sending more electrical current to the batteries to bring up their charge. As the voltage approaches full charge, the charger sends less and less electrical current to the batteries. When the batteries are fully charged, the current sent by the charger is at nearly zero amperage. Therefore, when the charger is plugged in, it maintains the charge on your scooter's batteries, but does not overcharge them. We do not recommend that you charge your scooter's batteries for more than 24 consecutive hours.

What if my scooter's batteries won't charge?

- Ensure that both ends of the charger power lead are inserted fully.
- Ensure that both battery packs are seated into the battery wells properly.
- Ensure that the charger is turned on at the toggle switch located on the side of the off-board charger.
- Check the charger fuse located inside the right battery pack. The fuse is attached to the wire leading from the charger power lead receptacle.

How often must I charge the batteries?

Two major factors must be considered when deciding how often to charge your scooter's batteries:

- All day scooter use on a daily basis.
- Infrequent or sporadic scooter use.

With these considerations in mind, you can determine how often and for how long you should charge your scooter's batteries. We designed the charger so that it will not overcharge your scooter's batteries. However, you may encounter some problems if you do not charge your batteries often enough and if you do not charge them on a regular basis. Following the guidelines below will provide safe and reliable battery operation and charging.

- If you use your scooter daily, charge its batteries as soon as you finish using it for the day. Your scooter will be ready each morning to give you a full day of service. We recommend that you charge your scooter's batteries for 8 to 14 hours after daily use.
- If you use your scooter once a week or less, charge its batteries at least once a week for 12 to 14 hours at a time.
- Keep your scooter's batteries fully charged.
- Avoid deeply discharging your scooter's batteries.
- Do not charge your scooter's batteries for more than 24 consecutive hours.

How can I get maximum range or distance per charge?

Rarely will you have ideal driving conditions—smooth, flat, hard driving surfaces with no wind or curves. Often, you will face hills, pavement cracks, uneven and loosely packed surfaces, curves and wind, all of which affect the distance or running time per battery charge. Below are a few suggestions for obtaining the maximum range per battery charge.

- Always fully charge your scooter's batteries prior to daily use.
- If equipped with pneumatic tyres, maintain **2-2.4 bar (30-35 psi)** in each tyre.
- Plan your route ahead to avoid as many hills, cracked, broken or soft surfaces as possible.
- Limit your baggage weight to essential items.
- Try to maintain an even speed while your scooter is in motion.
- Avoid stop-and-go driving.

V. BATTERIES AND CHARGING

What type and size of battery should I use?

We recommend deep-cycle batteries that are sealed and maintenance free. Both AGM and Gel-Cell are deep-cycle batteries that are similar in performance. Do not use wet-cell batteries, which have removable caps.



WARNING! Corrosive chemicals are contained in batteries. Use only AGM or Gel-Cell batteries to reduce the risk of leakage or explosive conditions.

NOTE: Sealed batteries are not serviceable. Do not remove the caps.

To change a battery in your scooter:



WARNING! Prevent injury and/or equipment damage! Do not mix or match new and old batteries. If you encounter a situation where one battery needs to be replaced, then replace both batteries. Refer to specifications table in this manual and the manual supplied with the battery charger for recommended type and capacities.

WARNING! Battery posts, terminals and related accessories contain lead and lead compounds. Wash hands after handling.

1. Remove the seat.
2. Remove the battery packs from the scooter. Always remove the left side battery pack first. See VIII. "Disassembly and Assembly."
3. Remove the 7 screws from the underside of the pack.
4. Arrange the pack so the handle is facing up and slowly remove the cover and situate it as shown in figure 9.
5. Disconnect the battery cables from the battery terminals by removing the nut and bolt from each terminal.
6. Remove the old battery.
7. Place a new battery into the battery pack.
8. Connect the red battery cable to the positive (+) battery terminal.
9. Connect the black battery cable to the negative (-) battery terminal.
10. Replace the battery pack cover.
11. Reinstall the 7 screws that hold the pack together and tighten.
12. Reinstall the battery packs onto the scooter and engage the battery pack locks. Always reinstall the right side battery pack first.
13. Reinstall the seat.

NOTE: If you encounter a damaged or cracked battery, immediately enclose it in a plastic bag and call your authorised Pride Dealer for instructions on disposal. Your authorised Pride Dealer will also have the necessary information on battery recycling, which is our recommended course of action.

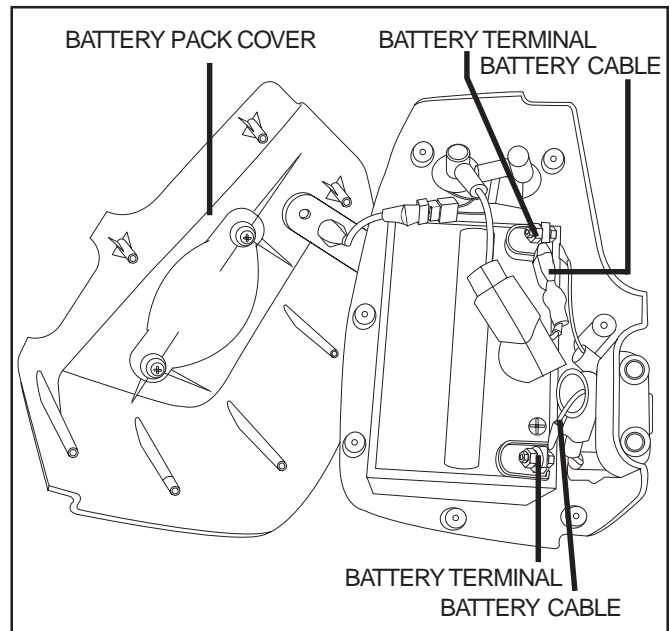


Figure 9. Battery Replacement

V. BATTERIES AND CHARGING

Why do my new batteries seem weak?

Deep-cycle batteries employ a different chemical technology than that used in car batteries, nickel-cadmium batteries (nicads) and other common battery types. Deep-cycle batteries are specifically designed to provide power, drain down their charge and then accept a relatively quick recharge.

We work closely with our battery manufacturer to provide batteries that best suit your scooter's specific electrical demands. Fresh batteries arrive daily at Pride and are shipped fully charged to our customers. During shipping, the batteries may encounter temperature extremes that can influence their initial performance. Heat diminishes the charge on the battery; cold slows the available power and extends the time needed to recharge the battery.

It may take a few days for the temperature of your scooter's batteries to stabilise and adjust to their new room or ambient temperature. More importantly, it takes a few charging cycles (partial draining followed by full recharging) to establish the critical chemical balance that is essential to a deep-cycle battery's peak performance and long life.

Follow these steps to properly break in your scooter's new batteries for maximum efficiency and service life.

1. Fully recharge any new battery prior to its initial use. This charging cycle brings the battery up to about 88% of its peak performance level.
2. Operate your new scooter in familiar and safe areas. Drive slowly at first and do not travel too far from your home or familiar surroundings until you have become accustomed to your scooter's controls and have properly broken in your scooter's batteries.
3. Fully recharge the batteries. They should be at over 90% of their peak performance level.
4. Operate your scooter again.
5. Fully recharge the batteries again.
6. After four or five charging cycles, the batteries are able to receive a charge of 100% of their peak performance level and are able to last for an extended period of time.

What about public transport?

If you intend to use public transport with your scooter, you must contact the transportation provider in advance to determine their specific requirements.

VI. OPERATION

BEFORE GETTING ONTO YOUR SCOOTER

- Have you fully charged the batteries? See V. “Batteries and Charging.”
- Is the manual freewheel lever in the drive position? Never leave the manual freewheel lever pushed forward unless you are manually pushing your scooter.
- Is the tiller lock knob in the unlocked position and can you turn the tiller from side to side freely?

GETTING ONTO YOUR SCOOTER



WARNING! Before getting onto your scooter always check that the tiller lock is in the unlocked position. Attempting to ride your scooter with the tiller lock in the locked position can result in personal injury.

WARNING! Never attempt to get onto or off of your scooter without first removing the key from the key switch. This will prevent the scooter from moving if accidental throttle control lever contact is made.

1. Make certain that the key is removed from the key switch.
2. Stand at the side of your scooter.
3. Disengage the seat rotation lever and rotate the seat until it is facing you.
4. Make certain that the seat is locked securely in position.
5. Position yourself comfortably and securely in the seat.
6. Disengage the seat rotation lever and rotate the seat until you are facing forward.
7. Make certain that the seat is locked securely in position.
8. Make certain that your feet are safely on the floorboard.

PRE-RIDE ADJUSTMENTS AND CHECKS

- Is the seat at the proper height? See VII. “Comfort Adjustments.”
- Is the seat locked securely in place?
- Is the tiller at a comfortable setting and locked securely in place? See VII. “Comfort Adjustments.”
- Is the key fully inserted into the key switch?
- Does the scooter’s horn work properly?
- Is your proposed path clear of people, pets and obstacles?
- Have you planned your route to avoid adverse terrain and as many inclines as possible?

OPERATING YOUR SCOOTER

WARNING! The following can adversely affect steering and stability while operating your scooter:



- Holding onto or attaching a leash to walk your pet.
- Carrying passengers (including pets).
- Hanging any article from the tiller.
- Towing or being pushed by another motorised vehicle.

Such practices could cause loss of control and/or tipping, resulting in personal injury and/or damage to your scooter.

VI. OPERATION

Keep both hands on the tiller and your feet on the floorboard at all times while operating your scooter. This driving position gives you the most control over your vehicle.

- Set the speed adjustment dial to your desired speed.
- Press your thumb against the appropriate side of the throttle control lever.
- The electromechanical disc park brake automatically disengages and the scooter accelerates smoothly to the speed you preselected with the speed adjustment dial.
- Pull on the left handgrip to steer your scooter to the left.
- Pull on the right handgrip to steer your scooter to the right.
- Move the tiller to the centre position to drive straight ahead.
- To stop, slowly release the throttle control lever. The electronic brakes will automatically engage when your scooter comes to a stop.

NOTE: *Your scooter's reverse speed is slower than that of the forward speed you preset with the speed adjustment dial.*

GETTING OFF OF YOUR SCOOTER

1. Bring your scooter to a complete stop.
2. Remove the key from the key switch.
3. Disengage the seat rotation lever and rotate the seat until you are facing toward the side of your scooter.
4. Make certain that the seat is locked securely in position.
5. Carefully and safely get out of the seat and stand to the side of your scooter.
6. You can leave the seat facing to the side to facilitate boarding your scooter next time.

POWER DOWN TIMER FEATURE

Your scooter is equipped with an energy saving automatic power down timer feature designed to preserve your scooter's battery life. If you mistakenly leave the key in the key switch but do not use your scooter for approximately 20 minutes, the scooter's controller shuts down automatically. Although the controller is shut down, power will still be supplied to the scooter's lighting system.

If the power down timer feature takes effect, perform the following steps to resume normal operation.

1. Remove the key from the key switch.
2. Reinsert the key and power up your scooter.

VII. COMFORT ADJUSTMENTS

After becoming familiar with your scooter's operation, you may find the need to make some adjustments to increase your comfort.



WARNING! Remove the key from the key switch before adjusting the tiller or the seat. Never attempt to adjust the tiller or the seat while the scooter is in motion.

TILLER ANGLE ADJUSTMENT

Your scooter is equipped with a pivoting tiller that allows adjustment to several positions from the scooter deck to the farthest forward stop. See figure 10.

1. Turn the tiller angle adjustment knob anticlockwise to loosen the tiller.
2. Move the tiller to a comfortable position.
3. Turn the tiller angle adjustment knob clockwise to secure the tiller in position.

NOTE: In order to lower the tiller to the scooter floorboard, you must first remove the seat and both battery packs. See VIII. "Disassembly and Assembly."

SEAT ROTATION

The seat rotation lever locks the seat in one of four positions.

1. Pull up on the seat rotation lever to unlock the seat. See figure 11.
2. Rotate the seat to the desired position.
3. Release the seat rotation lever to lock the seat securely in place.

ARMREST WIDTH ADJUSTMENT

The armrest width can be adjusted inward or outward.

1. Loosen the armrest adjustment knobs at the back of the seat frame. See figure 11.
2. Slide the armrests in or out to the desired width.
3. Tighten the armrest adjustment knobs as required.

The armrests can also pivot upward to aid in getting onto and off of your scooter.

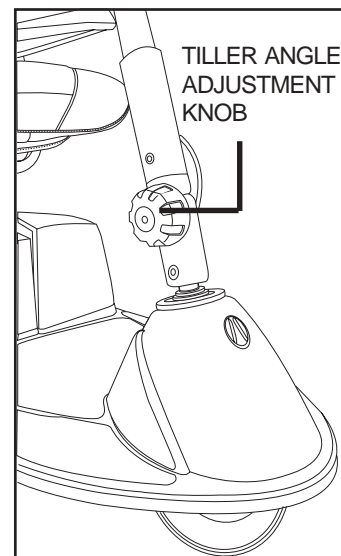


Figure 10. Tiller Angle Adjustment Knob

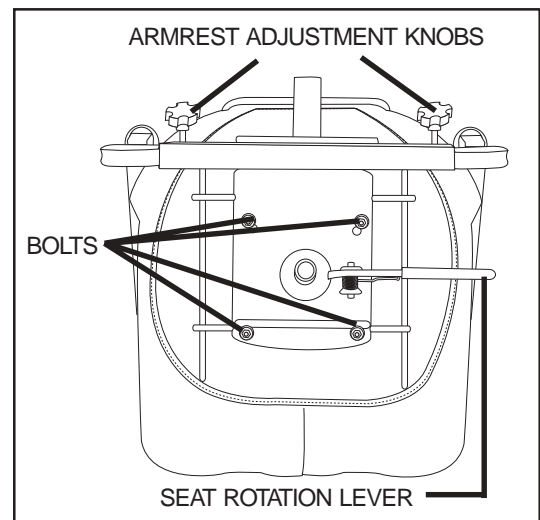


Figure 11. Seat Adjustments

VII. COMFORT ADJUSTMENTS

FRONT-TO-BACK SEAT ADJUSTMENT

You can reposition the scooter's seat forward or rearward to one of three settings, to adjust the distance between the seat and the tiller.

1. Remove the seat from your scooter. Refer to VIII. "Disassembly and Assembly."
2. Remove the four bolts that fasten the seat to the seat platform. See figure 11.
3. Align the seat platform with the desired set of holes on the seat.
4. Replace and tighten the four bolts securely.

SEAT HEIGHT ADJUSTMENT

The seat can be repositioned to one of three different heights. See figure 12.

1. Remove the seat from your scooter. See VIII. "Disassembly and Assembly."
2. Use the attached ring to pull and remove the detent pin from the lower seat post.
3. Raise or lower the upper seat post to the desired seat height.
4. While holding the upper seat post at that height, match up the adjustment holes in the upper and lower seat posts.
5. Fully insert the detent pin.
6. Replace the seat.

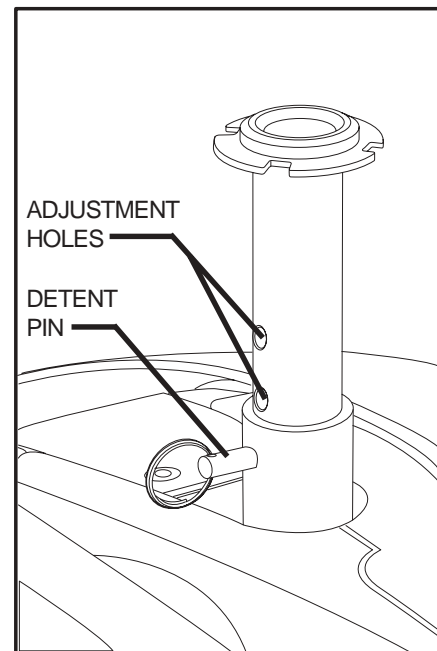


Figure 12. Seat Height Adjustment

VIII. DISASSEMBLY AND ASSEMBLY

DISASSEMBLY



WARNING! Lifting weight beyond your physical capability may result in personal injury. Ask for assistance when necessary while disassembling or assembling your scooter.

No tools are required to disassemble or assemble your scooter. Always disassemble or assemble your scooter on a level, dry surface with sufficient room for you to work. Keep in mind that the disassembled sections of the scooter take up more floor space than the assembled scooter.

You can disassemble the scooter into six pieces: the seat, the rear section, the front section, the battery packs and basket (not shown). See figure 13.

Before beginning disassembly, remove the key and place the manual freewheel lever in the drive position.

1. Lock the tiller in place by positioning it forward then pushing the tiller lock knob in and turning it clockwise 90°. See figure 14.
2. Remove the seat by pulling up on the seat rotation lever, rotating the seat one-eighth of a turn and lifting the seat up and off the scooter.
3. Disengage both battery pack locks by pulling them gently away from the scooter. See figure 15.
4. Remove the left then the right battery pack by lifting them straight up and away from the scooter. See figure 16.

NOTE: When *DISASSEMBLING* the scooter, always remove the *LEFT* battery pack first.

5. Unplug the front-to-rear harness. See figure 17.

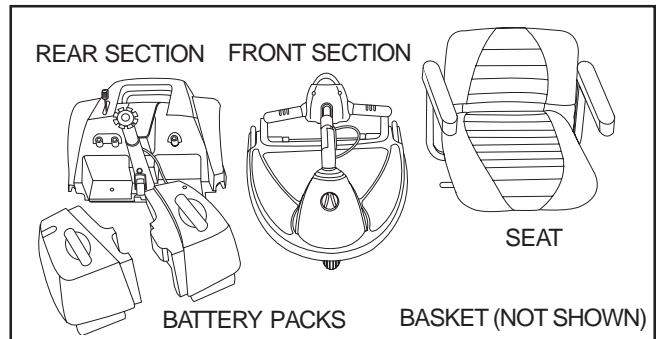


Figure 13. Scooter Components

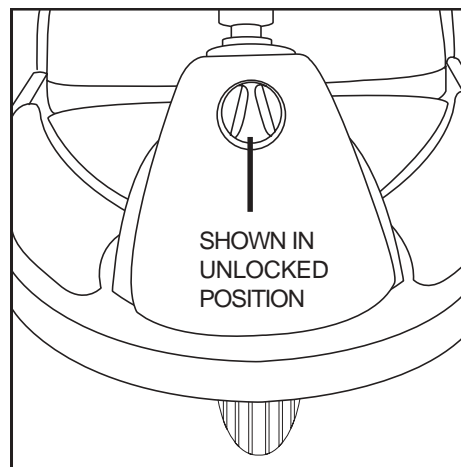


Figure 14. Tiller Lock Knob

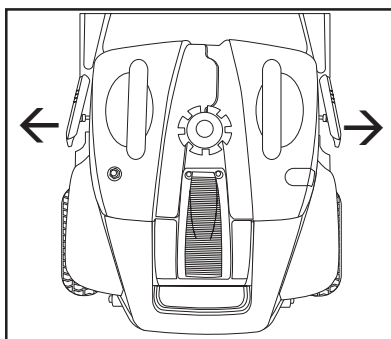


Figure 15. Battery Pack Locks

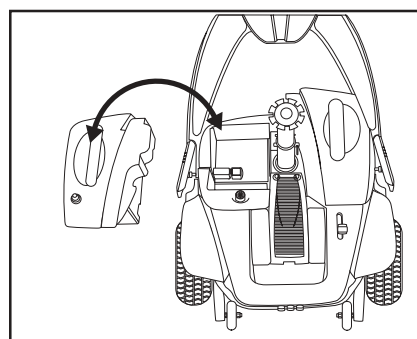


Figure 16. Battery Pack Removal/Installation

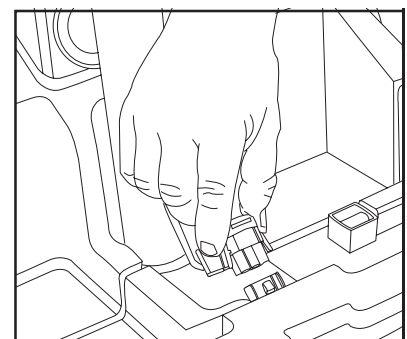


Figure 17. Front-To-Rear Harness

VIII. DISASSEMBLY AND ASSEMBLY

Toggle Latch Release

1. Push in the toggle latch release button while pulling back the toggle latch. See figures 18 and 18A.
2. Secure the toggle latch buckle over the top of the toggle latch. See figure 18B.
3. Grab the hand grip on the tiller, loosen the tiller adjustment knob and gently lower the tiller down to the centre of the scooter floorboard.
4. Fully tighten the tiller adjustment knob.

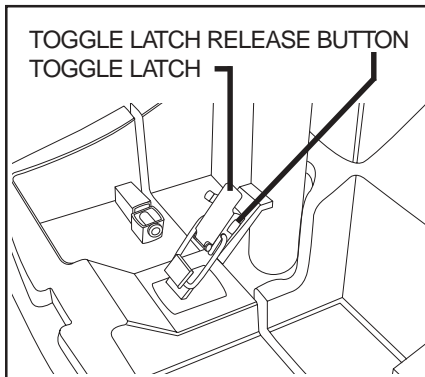


Figure 18. Toggle Latch (Latched)

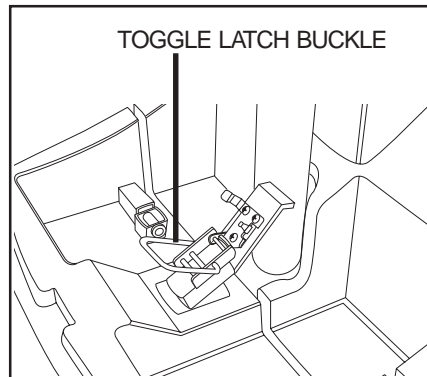


Figure 18A. Toggle Latch (Unlatched)

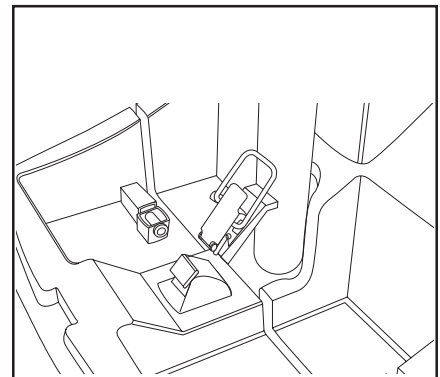


Figure 18B. Toggle Latch (Secured For Disassembly)

Frame Separation

1. Push back on the seat post to pivot the scooter's rear section rearwards until it is standing vertically on its rear bumper. See figure 19.
2. Lift the front section up until the rear pegs are no longer in the locking brackets. See figure 20.
3. Carefully move the front section away from the rear section.

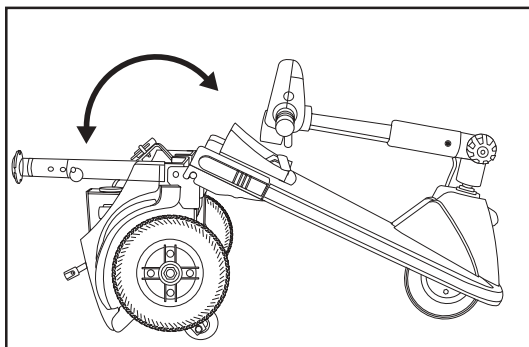


Figure 19. Frame Positioning

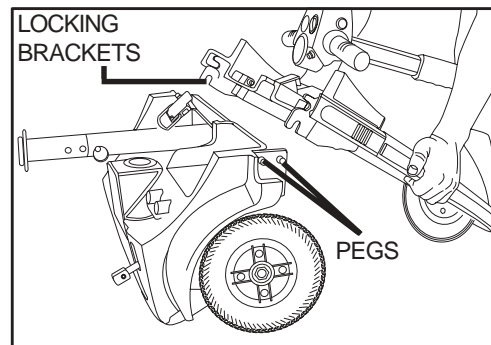


Figure 20. Frame Separation

VIII. DISASSEMBLY AND ASSEMBLY

ASSEMBLY

1. Position the front and rear sections of your scooter as shown in figure 20.
2. Align the locking brackets of the front section with the corresponding pegs on the front of the rear section.



WARNING! Position the front-to-rear harness so it won't become pinched between the frame halves when pivoting the rear section forward.

3. Holding the seat post, slowly pivot the rear section forward until the locking brackets are fully connected onto the rear pegs. See figures 19 and 20.
4. Raise the tiller.
5. Latch the toggle latch. See figure 18.
 - Lower the toggle latch buckle.
 - Push back on the toggle latch so it locks into place.
6. Connect the front-to-rear harness.
7. Reinstall the batteries and engage both battery pack locks.

NOTE: *When ASSEMBLING the scooter, always reinstall the RIGHT battery pack first.*

8. Replace the seat.
9. Unlock the tiller by rotating the tiller lock knob 90° anticlockwise.



WARNING! Before getting onto your scooter always check that the tiller lock knob is in the unlocked position. Attempting to ride your scooter with the tiller lock knob in the locked position can result in personal injury.

IX. BASIC TROUBLESHOOTING

Any electromechanical device occasionally requires some troubleshooting. However, most of the problems that may arise can usually be solved with a bit of thought and common sense. Many of these problems occur because the batteries are not fully charged or because the batteries are worn down and can no longer hold a charge.

DIAGNOSTIC FLASH CODES

The diagnostic flash codes for your scooter are designed to help you perform basic troubleshooting quickly and easily. A diagnostic flash code will flash from the status LED in the event one of the conditions listed below develops.

NOTE: *Your scooter will not run unless the flash code condition is resolved and the scooter has been turned off and then back on.*

FLASH CODE	CONDITION	SOLUTION
■ ■ (2)	Battery voltage is too low to operate the scooter.	Charge fully until charger and any meters indicate completion.
■ ■ ■ (3)	Battery voltage is too high to operate the scooter.	Call your authorised PrideDealer for assistance.
■ ■ ■ ■ ■ (5)	Solenoid brake trip. The manual freewheel lever may be in the freewheel position.	Remove the key, then push the manual freewheel lever to the drive position, restart your scooter.
■ ■ ■ ■ ■ ■ ■ (6)	Throttle trip. The throttle control lever may have been depressed while inserting the key.	Release the throttle control lever completely, then reinsert the key.
■ ■ ■ ■ ■ ■ ■ ■ (7)	Throttle trip. Throttle potentiometer fault or speed potentiometer fault.	Call your authorised Pride Dealer for assistance.
■ ■ ■ ■ ■ ■ ■ ■ ■ (8)	The scooter's motor is disconnected.	Call your authorised Pride Dealer for assistance.
■ ■ ■ ■ ■ ■ ■ ■ ■ ■ (9)	Possible controller trip. You may be attempting to install the battery packs while the key is inserted or the motor controller may be in overheat protective mode.	Shut down your scooter for a minimum of several minutes to allow the controller to cool. Or, try turning your scooter off, then back on.

What if all the systems on my scooter seem to be “dead?”

- Make certain that the key is in the “on” position.
- Check that the batteries are fully charged.
- Push in the main circuit breaker reset button. See IV. “Your Scooter.”
- Make certain that both batteries are seated properly.
- Make sure that the front-to-rear harness is firmly connected. See VIII. “Disassembly and Assembly.”
- Be sure the power down timer feature hasn't been activated. See VI. “Operation.”

What if my scooter does not move when I press the throttle control lever?

- When the manual freewheel lever is pushed forward, the brakes are disengaged and all power to the motor/transaxle assembly is cut.
- Push back on the manual freewheel lever, turn the scooter off and then turn the scooter on to return to normal scooter operation.

IX. BASIC TROUBLESHOOTING

What if the main circuit breaker repeatedly trips?

- Charge the scooter's batteries more frequently. See V. "Batteries and Charging."
- If the problem continues, have both of your scooter's batteries load tested by your authorised Pride Dealer.
- You may also perform the load test yourself. Battery load testers are available at most automotive parts stores.
- Follow the directions supplied with the load tester.
- See V. "Batteries and Charging" or III. "Specifications" for information about your scooter's battery type.

What if the battery condition meter dips way down and the motor surges or hesitates when I press my scooter's throttle control lever?

- Fully charge your scooter's batteries. See V. "Batteries and Charging."
- Have your authorised Pride Dealer load test each battery.
- Or, see the previous troubleshooting question for load testing the batteries yourself.

If you experience any problems with your scooter that you are not able to solve, immediately contact your authorised Pride Dealer for information, maintenance and service.

X. CARE AND MAINTENANCE

Your scooter requires a minimal amount of care and maintenance. If you do not feel confident in your ability to perform the maintenance listed below, you may schedule inspection and maintenance at your authorised Pride Dealer. The following areas require periodic inspection and/or care and maintenance.

TYRE PRESSURE

- If equipped with pneumatic tyres, always maintain a proper **2-2.4 bar (30-35 psi)** tyre pressure.



WARNING! It is important that 2-2.4 bar (30-35 psi) tyre pressure be maintained in pneumatic tyres at all times. Do not underinflate or overinflate your tyres. Low pressure may result in loss of control and overinflated tyres may burst. Failure to maintain 2-2.4 bar (30-35 psi) tyre pressure in pneumatic tyres at all times may result in tyre and/or wheel failure, causing serious personal injury and/or damage to your scooter.

- Regularly inspect your scooter's tyres for signs of wear.

WHEEL REPLACEMENT

If your scooter is equipped with pneumatic tyres and you have a flat tyre, you can have the tube replaced. If your scooter is equipped with a solid tyre insert, either the solid insert or the entire wheel must be replaced depending on model. Contact your authorised Pride Dealer for information regarding replacement wheels for your scooter.



WARNING! Prevent personal injury! Completely deflate pneumatic tyres before dismantling the rim or attempting repair.

WARNING! When changing a tyre, remove only the centre lug nut, then remove the tyre. If any further disassembly is required, deflate the tyre completely or it may explode, possibly resulting in personal injury.

EXTERIOR SURFACES

Bumpers, tyres and trim can benefit from an occasional application of rubber or vinyl conditioner.



WARNING! Do not use a rubber or vinyl conditioner on the scooter's vinyl seat, floorboard or tyre tread. They will become dangerously slippery and result in personal injury and/or damage to your scooter.

CLEANING AND DISINFECTION

- Use a damp cloth and mild, non-abrasive cleanser to clean the plastic and metal parts of your scooter. Avoid using products that may scratch the surface of your scooter.
- If necessary, clean your product with an approved disinfectant. Make sure the disinfectant is safe for use on your product before application.



WARNING! Prevent personal injury and product damage! Follow all safety instructions for the proper use of the disinfectant before applying it to your product.

ABS PLASTIC SHROUDS

- The shrouds of the scooter are formed from durable ABS plastic and are coated with an advanced formula urethane paint.
- A light application of car wax will help the shrouds retain their high gloss.

X. CARE AND MAINTENANCE

WIRING HARNESSES

- Regularly check all wiring connections.
- Regularly check all wiring insulation, including the charger power lead, for wear or damage.
- Have your authorised Pride Dealer repair or replace any damaged connector, connection or insulation that you find before using your scooter again.

BATTERY TERMINAL CONNECTIONS

- Make certain that the terminal connections remain tight and uncorroded.
- The batteries must sit flat in the battery wells.
- The battery terminals should face the rear of the scooter.

MOTOR BRUSHES

The motor brushes are housed inside of the motor transaxle/assembly. They should be inspected periodically for wear by your authorised Pride Dealer.

AXLE BEARINGS AND THE MOTOR/TRANSAXLE ASSEMBLY

You do not need to lubricate these items, as they are all prelubricated and sealed

CONSOLE, CHARGER AND ELECTRONIC CONTROLLER MODULE

- Keep these areas away from moisture.
- Before operating your scooter, allow any of these areas to dry thoroughly if they have been exposed to moisture.

FUSES

In the event a fuse should cease to work:

1. Remove the fuse by pulling it straight out of its slot.
2. Examine the fuse to be sure it is blown. See figures 21 and 21A.
3. Insert a new fuse of the proper rating.



WARNING! The replacement fuse must exactly match the rating of the new fuse. Failure to use properly rated fuses may cause damage to the electrical system and may result in personal injury.

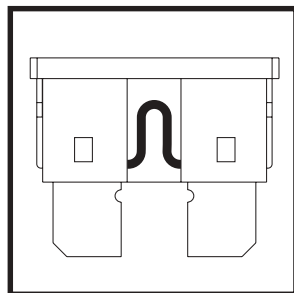


Figure 21. Working Fuse

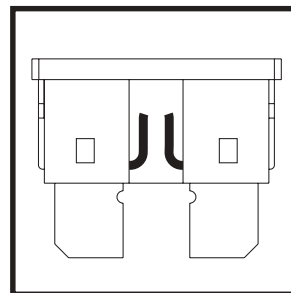


Figure 21A. Blown Fuse (Replace)

X . C A R E A N D M A I N T E N A N C E

LIGHT BULB REPLACEMENT

The scooter's light bulbs are easily replaceable. Do not use regular automotive-type 12-volt light bulbs; your scooter is equipped with a 24-volt electrical system. Replacement light bulbs can be purchased from your authorized Pride Provider.

NOTE: Use only 24-volt light bulbs.

1. Remove the light cover.
2. Gently remove the bulb by pulling it straight out.
3. Insert a new bulb of the same wattage.
4. Replace the light cover.

NYLON LOCK NUT REPLACEMENT

Any nylon insert lock nut removed during the periodic maintenance, assembly or disassembly of the scooter must be replaced with a new nut. Nylon insert lock nuts should not be reused as it may cause damage to the nylon insert, resulting in a less secure fit. Replacement nylon insert lock nuts are available at local hardware stores or through your authorised Pride Dealer.

STORING YOUR SCOOTER

If you plan on not using your scooter for an extended period of time, it is best to:

- Fully charge its batteries prior to storage.
- Remove the batteries from the scooter.
- Store your scooter in a warm, dry environment.
- Avoid storing your scooter where it will be exposed to temperature extremes.



WARNING! Always protect batteries from freezing temperatures and never charge a frozen battery. This damages the battery and can cause personal injury.

For prolonged storage, you may wish to place several boards under the frame of your scooter to raise it off of the ground. This takes the weight off the tyres and reduces the possibility of flat spots developing on the areas of the tyres contacting the ground.

DISPOSAL OF YOUR SCOOTER

Your scooter must be disposed of according to applicable local and national statutory regulations. Contact your local waste disposal agency or authorised Pride Dealer for information on proper disposal of packaging, metal frame components, plastic components, electronics and batteries.

XI. WARRANTY

LIFETIME WARRANTY

Structural frame components, including: platform, fork, seat post and frame welds.

TWO-YEAR LIMITED WARRANTY

Drivetrain, including: transaxle, motor and brake.

ONE-YEAR LIMITED WARRANTY

All electrical parts, including controllers and battery chargers, are covered for one year under warranty. Any attempt to open or dismantle these parts will lead to this warranty being void.

BATTERIES

Batteries are covered by a twelve-month warranty from the original manufacturer.

NOT COVERED UNDER WARRANTY

The following are classed as wear items, which may, under normal wear and tear, require replacing. These items are not therefore covered under warranty: tyres, lap belts, bulbs, upholstery, plastic shrouds, motor brushes and fuses. Warranty will also be refused if damage is deemed to have been caused through misuse or accident for which Pride Mobility Products Ltd. cannot be deemed responsible.

NOTE: Pride Mobility Products Ltd. provides parts only under warranty. Your Pride Dealer is responsible for labour and service. Please contact your Pride Dealer for information about these services and for any applicable charges.

NOTES



Pride
Mobility Products Ltd.

**Unit 106, Heyford Park Camp Road
Upper Heyford, Oxfordshire OX25 5HA**

www.pridemobility.com

* I NFMANU2526 *